



直驱微油针送布平缝机 Zj9901 系列

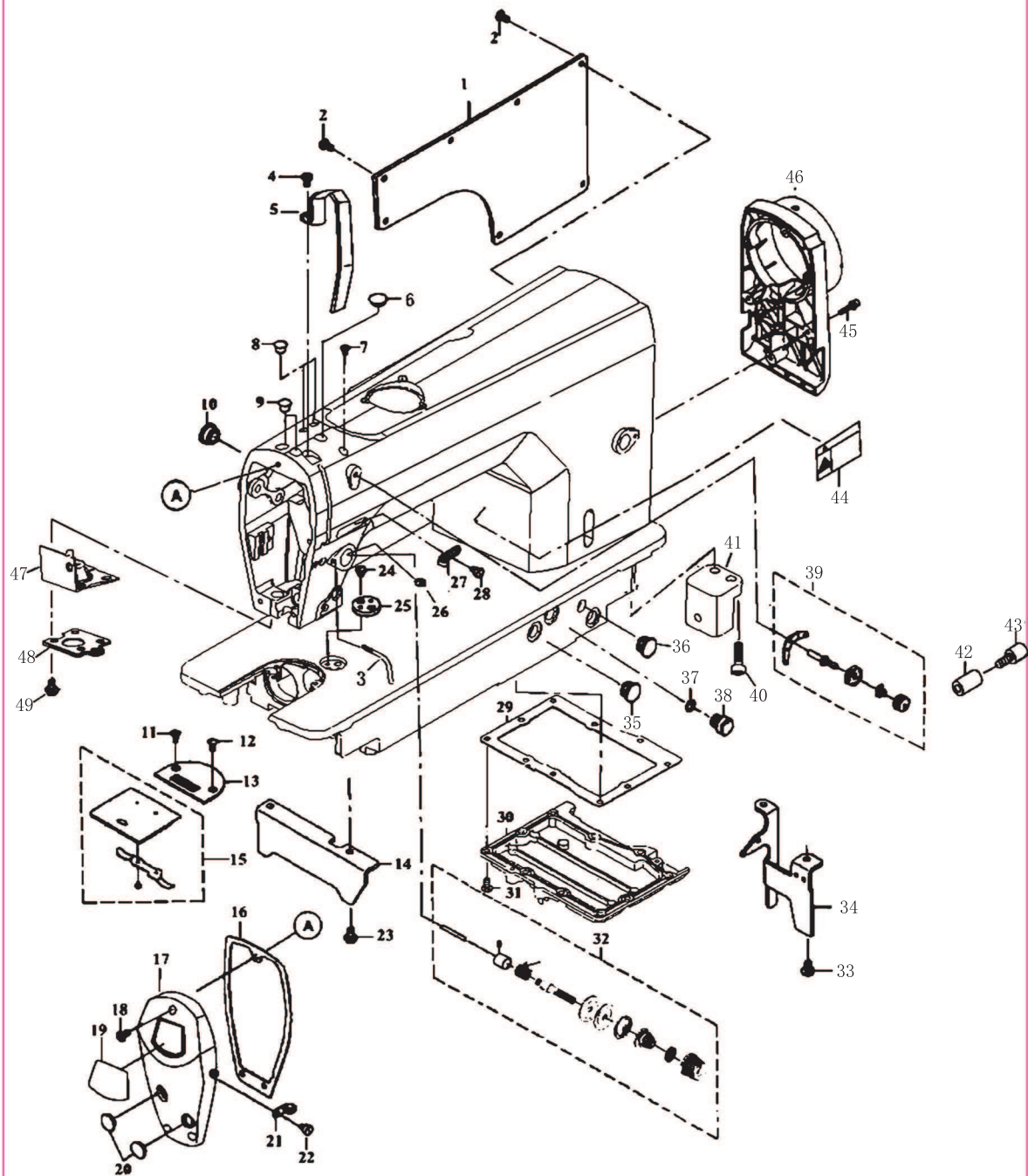
STRAIGHT NEEDLE FOR OIL DISPLACEMENT MICRO MACHINE)

使用说明书
零件手册
OPERATION MANUAL
PARTS BOOK

中国·中捷缝纫机股份有限公司
ZOJE SEWING MACHINE CO., LTD.

1、机体部件

MACHINE FRAME & MISCELLANEOUS COVER COMPONENTS



1、机体部件

MACHINE FRAME&MISCELLANEOUS COVER COMPONENTS

序号 No.	件号 Part No.	名称	Name of the part	数量 Qty.
1	20003404	后盖板	SIDE PLATE	1
2	10008972	螺钉	SCREW	7
3	10022343	缓线钩	ARM THREAD GUIDE	1
4	10008972	螺钉	SCREW	1
5	20003407	挑线杆防护罩	THREAD TAKE-UP LEVER COVER	1
6	10012147	橡胶塞	RUBBER PLUG	1
7	10013541	螺钉	SCREW	1
8	10008943	橡胶塞	RUBBER PLUG	2
9	10012460	橡胶塞	RUBBER PLUG	2
10	10012128	橡胶塞	RUBBER PLUG	1
11	10009005	螺钉	SCREW	1
12	10012463	螺钉	SCREW	1
13	10022847	针板	THROAT PLATE	1
14	10012135	前支撑板	BED STUD A	1
15	10013706	推板部件	SLIDE PLATE ASM	1
16	10022846	面板垫	FACE PLATE PACKING	1
17	20006907	面板	FACE PLATE	1
18	10008972	螺钉	SCREW	3
19	10005468	面板装饰牌	PLATE	1
20	10008977	橡胶塞	RUBBER PLUG	2
21	10008937	左线钩	ARM THREAD GUIDE B	1
22	10008973	螺钉	SCREW	1
23	10012142	螺钉	SCREW	2
24	10004374	螺钉	SCREW	2
25	10004373	限位挡片	RULER STOP SEAT	1
26	10010593	螺钉	SCREW	1
27	10008940	右线钩	ARM THREAD GUIDE A	1
28	10008973	螺钉	SCREW	1
29	10012143	箱盖密封垫	GEAR BOX PACKING	1
30	10012145	齿轮箱盖	GEAR BOX COVER	1
31	10004611	螺钉	SCREW	10
32	10013000	夹线器组件	THREAD TENSION ASM	1
33	10012142	螺钉	SCREW	2
34	10012148	后支撑板	BED STUD B	1
35	10012128	橡胶塞	RUBBER PLUG	1
36	10012136	橡胶塞	RUBBER PLUG	1
37	10012139	O型圈	RUBBER RING	1
38	10012141	排气阀	AIR-DISCHARGING	1

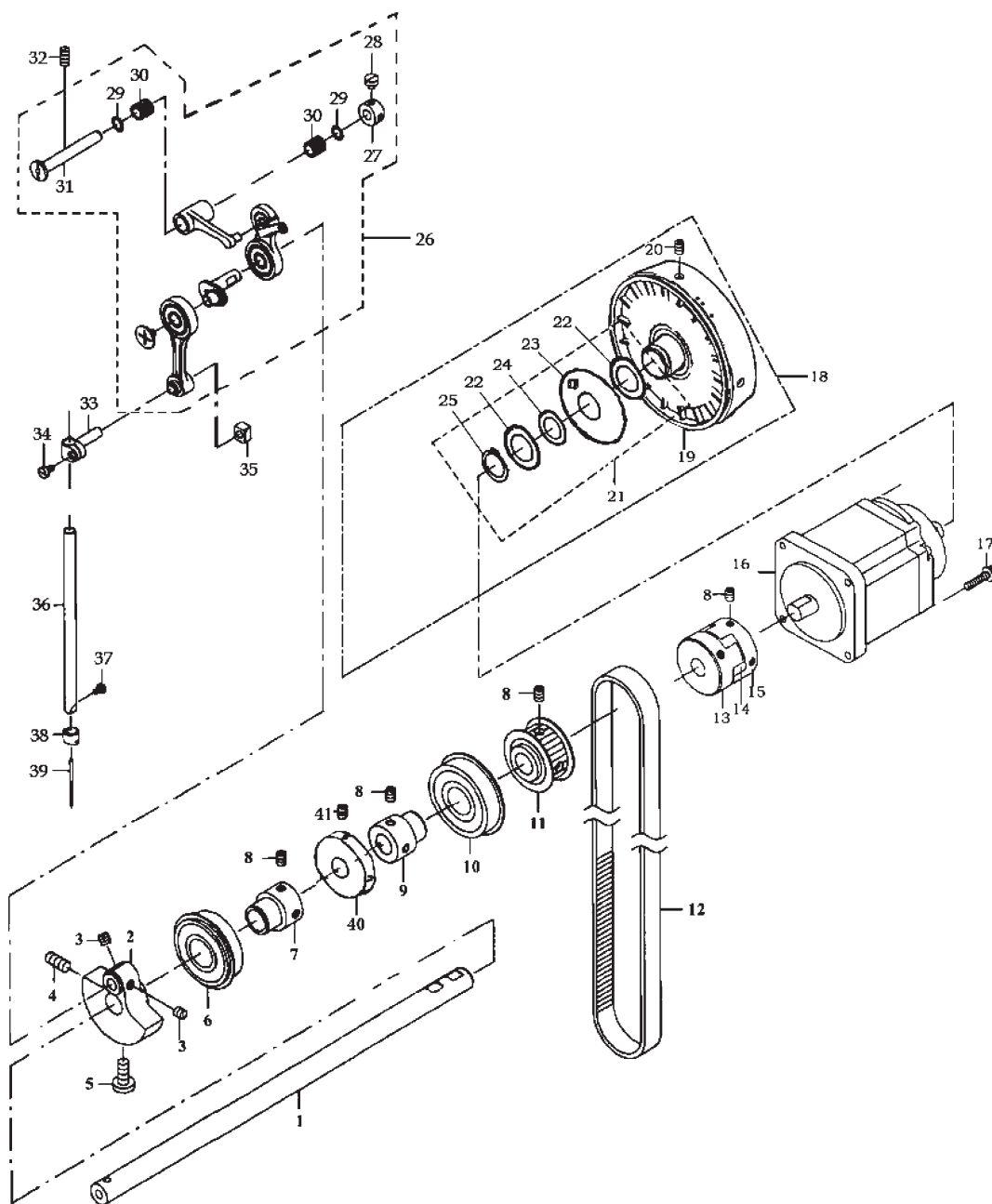
1、机体部件

MACHINE FRAME&MISCELLANEOUS COVER COMPONENTS

序号 No.	件号 Part No.	名称	Name of the part	数量 Qty.
39	10012867	上夹线器部件	THREAD TENSION GUIDE	1
40	10011313	螺钉	SCREW	2
41	10022344	倒缝电 磁铁支座	REVERSE FEED SOLENOID BASE	1
42	10013621	限位柱套	REVERSE FEED LEVER STOPPER	1
43	10012149	限位柱	SCREW	1
44	10008936	标牌	SAFETY LABEL	1
45	10006157	螺钉	SCREW	4
46	10006174	后盖	PULLEY COVER	1
47	10022342	机头下防油板橡胶垫	RUBBER PACKING	1
48	10022848	机头下防油板	PLATE	1
49	10011049	螺钉	SCREW	4

2、上轴部件

MAIN SHAFT & NEEDLE BAR COMPONENTS

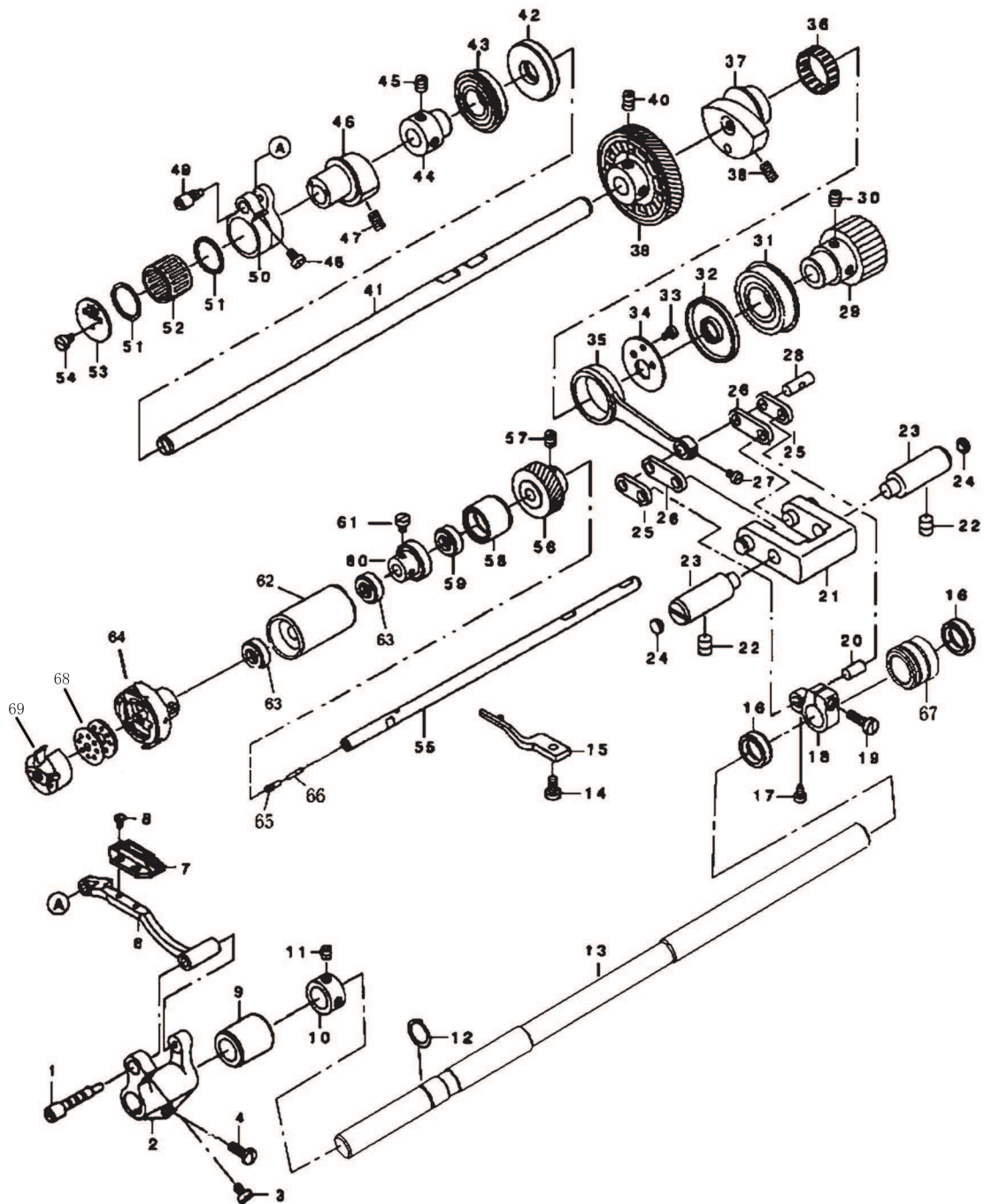


2、上轴部件 MAIN SHAFT & NEDDLE BAR COMPONENTS

序号 No.	件号 Part No.	名称	Name of the part	数量 Qty.
1	10012663	上轴	Main Shaft	1
2	10012607	针杆曲柄	Needle Bar Crank	1
3	10005020	螺钉	Screw 1/4-40 L=6	2
4	10010082	螺钉	Screw 9/32-28 L=16	1
5	10010545	螺钉	Screw 9/32-28 L=16	1
6	10039211	6204ZZNRC3轴承	Bearing	1
7	10039151	轴承套	Bearing Support	1
8	10009187	M6×8螺钉	Screw M6 L=8	6
9	10012668	轴承套	Bearing Support	1
10	10025862	6304ZZNRC3轴承	Bearing	1
11	10006241	上轴同步齿形带轮组件	Sprocket, Upper	1
12	10014095	齿形带	Timing Belt	1
13	10012613	联轴器	Coupling Joint	1
14	10011227	传动连接橡胶块	Connecting Rubber Block	1
15	10012615	联轴器	Coupling Joint	1
16	10032009	小型伺服马达	Motor	1
17	10006157	螺钉组件	Bolt	4
18	20002766	上轮组件	Head Wheel Asm	1
19	20010974	上轮	Head Wheel	1
20	10002436	M5×8螺钉	Screw M6 L=8	2
21	10032911	停针装置	Parcel Asm	1
22	10003845	垫圈	Washer	2
23	10032699	停针磁铁组件	Separate Parcel	1
24	10003364	波形垫圈	Spring Washer	1
25	10003365	挡圈	E-Ring	1
26	10022346	挑线杆组件	Thread Take-Up Asm	1
27	10005745	挡圈	Thrust Collar	1
28	10013590	螺钉	Screw 11/64-40 L=4	2
29	10005786	7×10×1.2挡圈	Bearing Support	2
30	10005747	K7×10×9.7轴承	Bearing	2
31	10005794	挑线连杆铰链轴	Thread Take-Up Crank Shaft	1
32	10010083	螺钉	Screw 15/64-28	1
33	10010590	针杆连接柱	Needle Rod Holder	1
34	10010643	螺钉	Screw 9/64-40	1
35	10010586	针杆连接柱滑块	Slide Block	1
36	10022347	针杆	Needle Bar	1
37	10013182	螺钉	Screw	1
38	10013181	针杆过线环	Needle Bar Thread Guide	1
39	10036288	DPX5 14#机针	Needle	1
40	10013112	绕线驱动轮	Bobble Winder Driving Wheel	1
41	10011062	螺钉	Screw 11/64-40	2

3、下轴送料部件

HORIZONTAL FEED & VERTICAL FEED AND HOOK DRIVING SHAFT COMPONENTS



3.1 下轴送料部件（平刀）

HORIZONTAL FEED & VERTICAL COMPONENTS

序号 No.	件号 Part No.	名称	Name of the part	数量 Qty.
1	10012048	送料牙架偏心销	FEED ROCKER BASE SHAFT	1
2	10012540	牙架座	FEED ROCKER BASE ARM	1
3	10010074	牙架座偏心销紧定螺钉	SCREW	1
4	10025329	牙架座固定螺钉	SCREW	1
6	10005749	牙架	FEED DOG	1
7	10022849	送料牙	FEED BASE	1
8	10010099	送料牙螺钉	SCREW	2
9	10012494	送料轴轴套	FEED ROCKE SHAFT METAL	1
10	10010542	送料轴挡圈	MAIN SHAFT THRUST COKKAR	1
11	10005020	送料轴挡圈螺钉	SCREW	2
12	10010542	送料轴卡圈	BETAINING RING	1
13	10022348	送料轴	FEED ROCKER SHAFT METAL	1
14	10012530	旋梭定位钩	BOBBIN CASE HOLDER	1
15	10010066	旋梭定位钩螺钉	SCREW	1
16	10012536	送料轴油封	OIL SEAL	1
17	10010071	送料后曲柄销紧定螺钉	SCREW	1
18	10012492	送料后曲柄	FEED POCKER ARM	1
19	10010095	送料后曲柄固定螺钉	SCREW	1
20	10010096	送料后曲柄销	WALKING FOOT PIN B	1
21	10012500	送料摆动板座组件	ADJUSTING LINK ASM	1
22	10010593	螺钉	SCREW	2
23	10012532	送料摆动座销	ADJUSTING LINK ASM FULCRUM	2
24	10012495	送料摆动座销孔橡皮塞	RUBBER PLUG	2
25	10010075	送料摆动座短连接板	LINK B	2
26	10012537	送料摆动座长连接板	LINK A	2
27	10010071	送料连接销螺钉	SCREW	1
28	10010069	送料连杆销	WALKING FOOT PIN C	1
29	10012535	拾牙轴同步齿形带轮	LOWER SPROCKET	1
30	10009187	拾牙轴同步齿形带轮螺钉	SCREW	2
31	10003542	拾牙轴后轴承	BEARING	1
32	10005742	送料偏心轮挡片	FEED ROCKER CAM PLATE	2
33	10010643	送料偏心轮挡片螺钉	SCREW	1
34	10005787	送料摇动连杆	FEED ROCKER ROD	1
35	10012538	拾牙轴后油封	SEAL	1
36	10005792	送布偏心轮滚针轴承	BEARING	1
37	10005740	送布偏心轮	FEED ROCKER CAN PLATE	1
38	10010083	螺钉	SCREW	2
39	10012462	拾牙轴斜齿轮	LARGE	1
40	10008862	拾牙轴斜齿轮螺钉	SCREW	2
41	10012489	拾牙轴	FEED DRIVING SHAFT	1

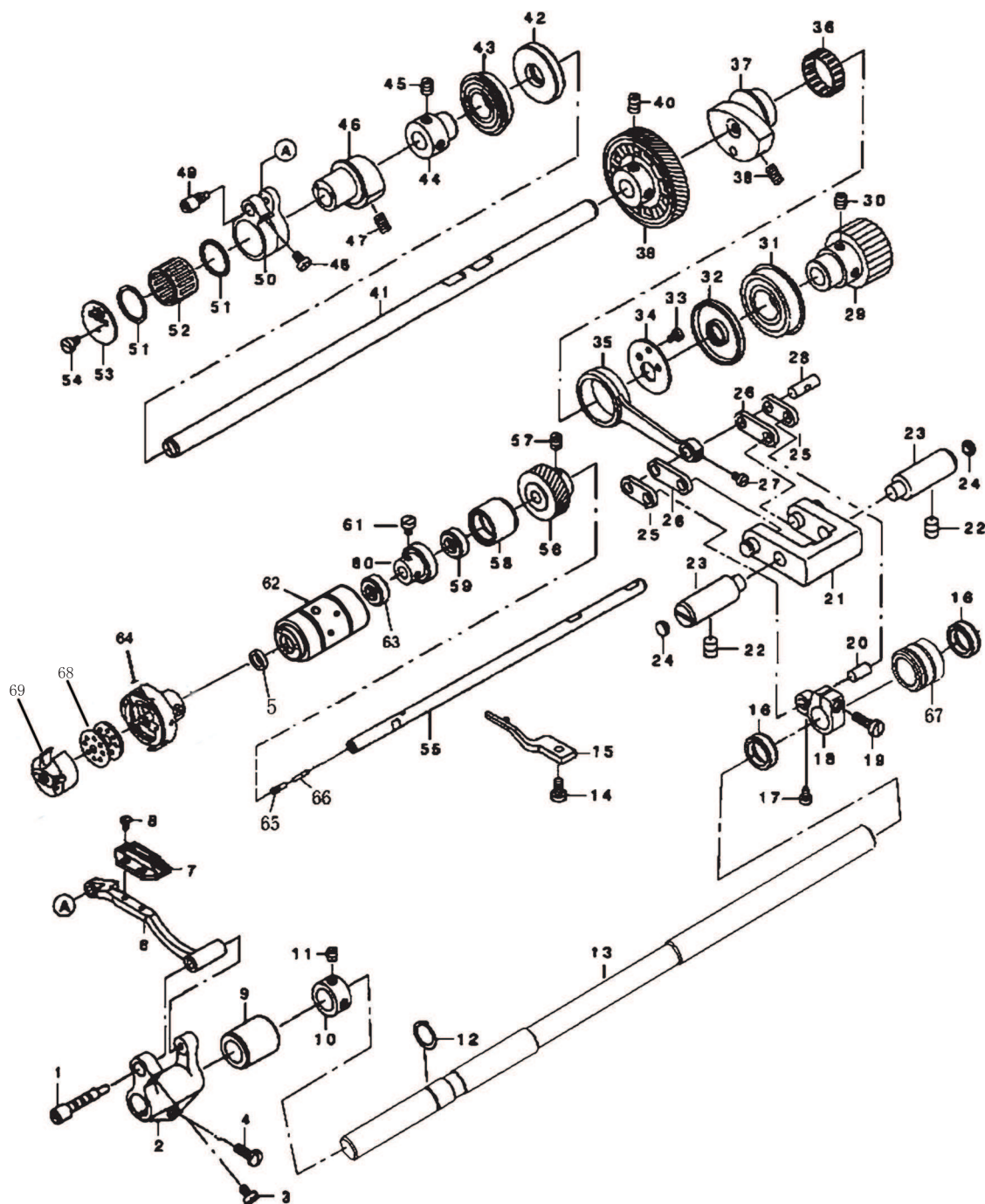
3.1 下轴送料部件（平刀）

HORIZONTAL FEED & VERTICAL COMPONENTS

序号 No.	件号 Part No.	名称	Name of the part	数量 Qty.
42	10012533	拾牙轴前油封	SEAL	1
43	10009782	拾牙轴轴承	BEARING	1
44	10012501	拾牙轴轴承套	SUPPORT	1
45	10003921	拾牙轴轴承套螺钉	SCREW	2
46	10005750	拾牙凸轮	FEED DRIVING CAM	1
47	10010083	拾牙凸轮紧定螺钉	SCREW	2
48	10010074	拾牙曲柄偏心销紧定螺钉	SCREW	1
49	10012498	拾牙曲柄偏心销	BASE SHAFT	1
50	10005789	拾牙曲柄	BASE ARM	1
51	10005790	拾牙凸轮滚针轴承挡圈	FEED DRIVING CAM THRUST BU	2
52	10005744	拾牙凸轮滚针轴承	BEARING	1
53	10012503	拾牙凸轮挡板	CAM PLATE	1
54	10010643	拾牙凸轮挡板螺钉	SCREW	2
55	10012534	下轴	HOKK SHAFT	1
56	10012554	下轴斜齿轮	GEAR SMALE	1
57	10003921	下轴斜齿轮螺钉	SCREW	2
58	10012678	下轴后轴套	BEARING	1
59	10012423	下轴后轴套油封	SEAL	1
60	20000175	下轴后轴承套组件	BEARING SUPPORT ASM	1
61	10013608	下轴后轴承套螺钉	SCREW	2
62	10012610	下轴前轴套	COMPL	1
63	10014503	下轴前轴套油封	SEAL	2
64	10023998	旋梭	HOKK ASM	1
65	10010064	下轴限油螺钉	SCREW	1
66	10010063	下轴限油芯	SCREW ASM	1
67	10022341	轴套	COMPL	1
68	10010060	梭芯	BOBBIN	1
69	10006924	梭壳	BOBBIN CASE	1

3.2 下轴送料部件（旋刀）

HORIZONTAL FEED & VERTICAL FEED AND HOOK DRIVING SHAFT COMPONENTS



3.2 下轴送料部件（旋刀）

HORIZONTAL FEED & VERTICAL COMPONENTS

序号 No.	件号 Part No.	名称	Name of the part	数量 Qty.
1	10012490	送料牙架偏心销	FEED ROCKER BASE SHAFT	1
2	10012540	牙架座	FEED ROCKER BASE ARM	1
3	10010074	牙架座偏心销紧定螺钉	SCREW	1
4	10010095	牙架座固定螺钉	SCREW	1
5	10013029	油封	OIL SEAL	1
6	10005749	牙架	FEED DOG	1
7	10022849	送料牙	FEED BASE	1
8	10010099	送料牙螺钉	SCREW	2
9	10012494	送料轴轴套	FEED ROCKE SHAFT METAL	1
10	10010542	送料轴挡圈	MAIN SHAFT THRUST COKKAR	1
11	10005020	送料轴挡圈螺钉	SCREW	2
12	10003290	送料轴卡圈	BETAINING RING	1
13	10032116	送料轴	FEED ROCKER SHAFT METAL	1
14	10012530	旋梭定位钩	BOBBIN CASE HOLDER	1
15	10010066	旋梭定位钩螺钉	SCREW	1
16	10012536	送料轴油封	OIL SEAL	1
17	10010071	送料后曲柄销紧定螺钉	SCREW	1
18	10012492	送料后曲柄	FEED POCKER ARM	1
19	10010095	送料后曲柄固定螺钉	SCREW	1
20	10026507	送料后曲柄销	WALKING FOOT PIN B	1
21	10005746	送料摆动板座组件	ADJUSTING LINK ASM	1
22	10010593	螺钉	SCREW	2
23	10035637	送料摆动座销	ADJUSTING LINK ASM FULCRUM	2
24	10012495	送料摆动座销孔橡皮塞	RUBBER PLUG	2
25	10035641	送料摆动座短连接板	LINK B	2
26	10035635	送料摆动座长连接板	LINK A	2
27	10010071	送料连接销螺钉	SCREW	1
28	10035643	送料连杆销	WALKING FOOT PIN C	1
29	10012535	拾牙轴同步齿形带轮	LOWER SPROCKET	1
30	10009187	拾牙轴同步齿形带轮螺钉	SCREW	2
31	10085862	拾牙轴后轴承	BEARING	1
32	10005742	送料偏心轮挡片	FEED ROCKER CAM PLATE	2
33	10010643	送料偏心轮挡片螺钉	SCREW	1
34	10005787	送料摇动连杆	FEED ROCKER ROD	1
35	10012538	拾牙轴后油封	SEAL	1
36	10005792	送布偏心轮滚针轴承	BEARING	1
37	10005740	送布偏心轮	FEED ROCKER CAN PLATE	1
38	10010083	螺钉	SCREW	2
39	10012462	拾牙轴斜齿轮	LARGE	1
40	10008862	拾牙轴斜齿轮螺钉	SCREW	2

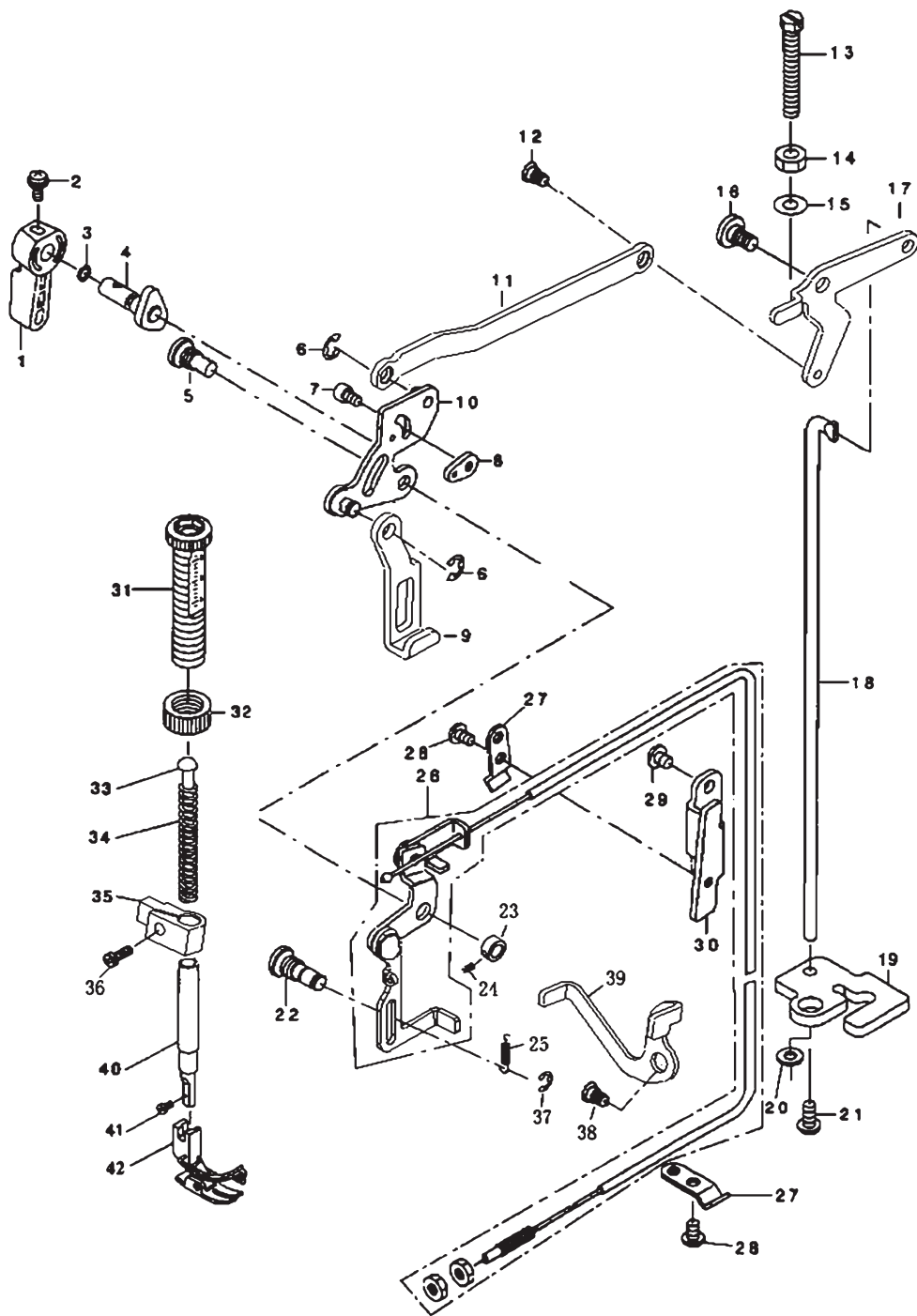
3.2 下轴送料部件（旋刀）

HORIZONTAL FEED & VERTICAL COMPONENTS

序号 No.	件号 Part No.	名称	Name of the part	数量 Qty.
41	10012489	拾牙轴	FEED DRIVING SHAFT	1
42	10012533	拾牙轴前油封	SEAL	1
43	10026364	拾牙轴轴承	BEARING	1
44	10012501	拾牙轴轴承套	SUPPORT	1
45	10003921	拾牙轴轴承套螺钉	SCREW	2
46	10006135	拾牙凸轮	FEED DRIVING CAM	1
47	10010083	拾牙凸轮紧定螺钉	SCREW	2
48	10010074	拾牙曲柄偏心销紧定螺钉	SCREW	1
49	10012498	拾牙曲柄偏心销	BASE SHAFT	1
50	10005789	拾牙曲柄	BASE ARM	1
51	10005790	拾牙凸轮滚针轴承挡圈	FEED DRIVING CAM THRUST BU	2
52	10005744	拾牙凸轮滚针轴承	BEARING	1
53	10012503	拾牙凸轮挡板	CAM PLATE	1
54	10010643	拾牙凸轮挡板螺钉	SCREW	2
55	10012534	下轴	HOOK SHAFT	1
56	10012554	下轴斜齿轮	GEAR SMALE	1
57	10003921	下轴斜齿轮螺钉	SCREW	2
58	10012678	下轴后轴套	BEARING	1
59	10012423	下轴后轴套油封	SEAL	1
60	20000175	下轴后轴承套组件	BEARING SUPPORT ASM	1
61	10013608	下轴后轴承套螺钉	SCREW	2
62	10014463	下轴前轴套	COMPL	1
63	10014503	下轴前轴套油封	SEAL	2
64	10013965	旋梭组件	HOOK ASM	1
65	10010064	下轴限油螺钉	SCREW	1
66	10010063	下轴限油芯	SCREW ASM	1
67	10022341	轴套	COMPL	1
68	10025484	梭芯	BOBBIN	1
69	10006924	梭壳	BOBBIN CASE	1

4、抬压脚部件

HANG LIFTER & TENSION RELEASE COMPONENTS



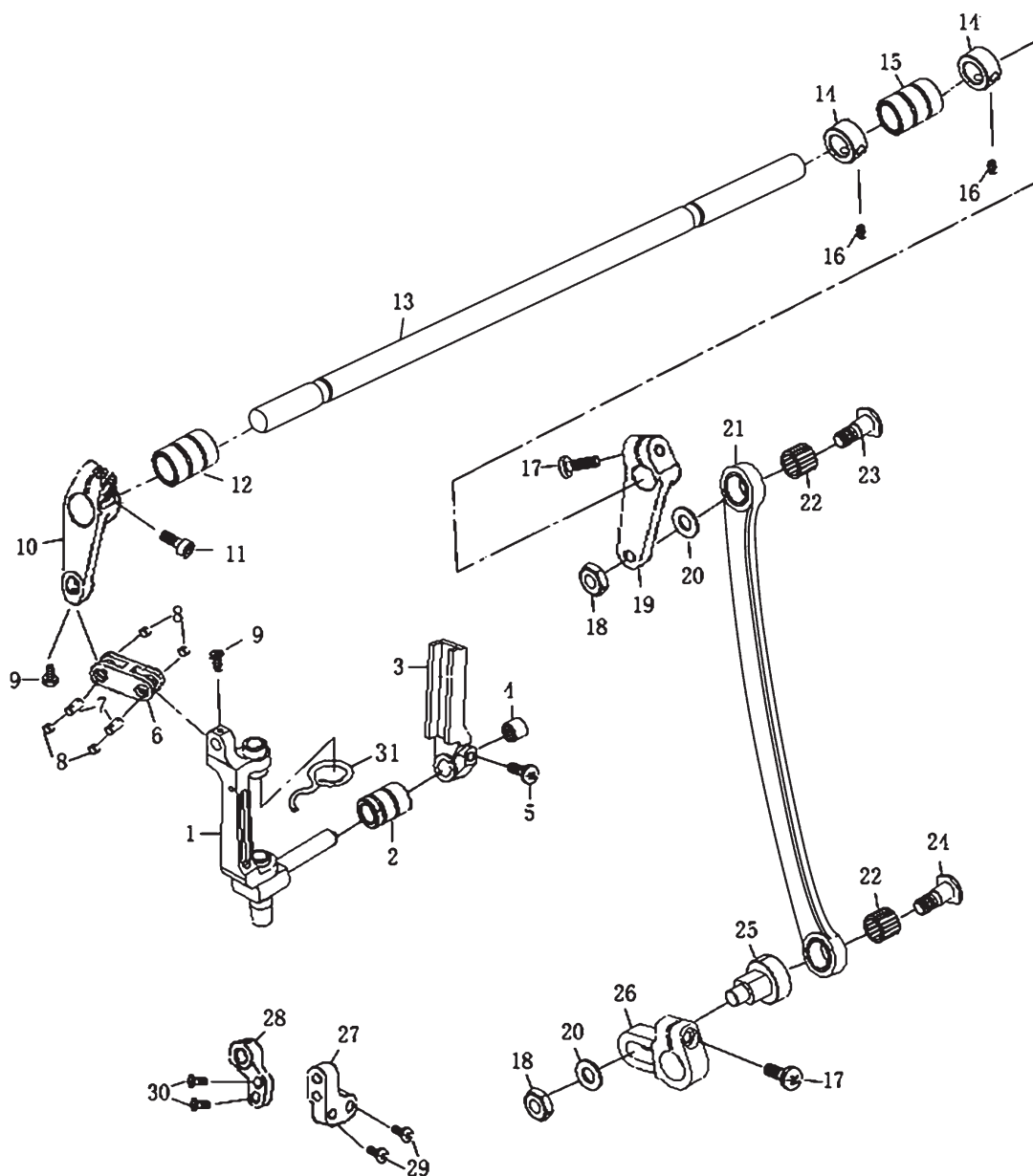
4、抬压脚部件

HANG LIFTER & TENSION RELEASE COMPONENTS

序号 No.	件号 Part No.	名称	Name of the part	数量 Qty.
1	10011064	压脚扳手	HAND LIFTER	1
2	10010016	螺钉	SCREW	1
3	10010027	O形圈	RUBBER RING	1
4	10013809	压脚扳手凸轮组件	HAND LIFTER CAM ASM	1
5	10022350	销	SCREW	1
6	10003248	挡圈	COLLAR	2
7	10002976	螺钉	SCREW	1
8	10005833	小连板	PLATE	1
9	10022850	压脚升降板	LIFTING PLATE	1
10	10022851	前杠杆组件	LIFTING LINK COMPL	1
11	10022852	膝控提升拉杆	CONNECTING ROD	1
12	10005882	拉杆螺钉	SCREW	1
13	10012633	六角螺钉	SCREW	1
14	10012625	螺母	NUT	1
16	10010652	后杠杆轴位螺钉	SCREW	1
17	10022853	后杠杆	LIFTING LEVER LINK	1
18	10030397	膝控提升杆	LINFTING LEVER CONNECT ROD	1
19	10012429	提升杆导板	CONNECTING ROD GUIDE	1
21	10012637	提升杆导板螺钉	SCREW	1
22	10022351	销	SCREW	1
23	10013375	挡圈	COLLAR	1
24	10011887	螺钉	SCREW	1
25	10022508	弹簧	SPRING	1
26	10022855	抬压脚松线组件	KNEEL IFTING TENSION RELEASE	1
27	10012425	线夹	WIRE HOLDER	2
28	10008972	线夹螺钉	SCREW	2
29	10012130	拉线固定架螺钉	SCREW	1
30	10005881	抬压脚拉线固定架	WIRE HOLDER	1
31	10013325	螺钉	SCREW	1
32	10011023	螺母	NUT	1
33	10013322	压杆	PRESSER BAR	1
34	10004473	弹簧	SPRING	1
35	10022349	压杆导架	PRESSER BAR GUIDE BRAC	1
36	10013567	螺钉	SCREW	1
37	10003248	挡圈	COLLAR	1
38	10012181	螺钉	SCREW	1
39	10022854	松线顶板	TENSION RELEASE RETURN	1
40	10014141	压杆衬套	BUSHING	1
41	10010650	活压脚螺钉	SCREW	1
42	10022352	压脚组件	PRESSER FOOT ASM	1

5、针杆摆动部件

THE NEEDLE BAR SWING COPONENTS



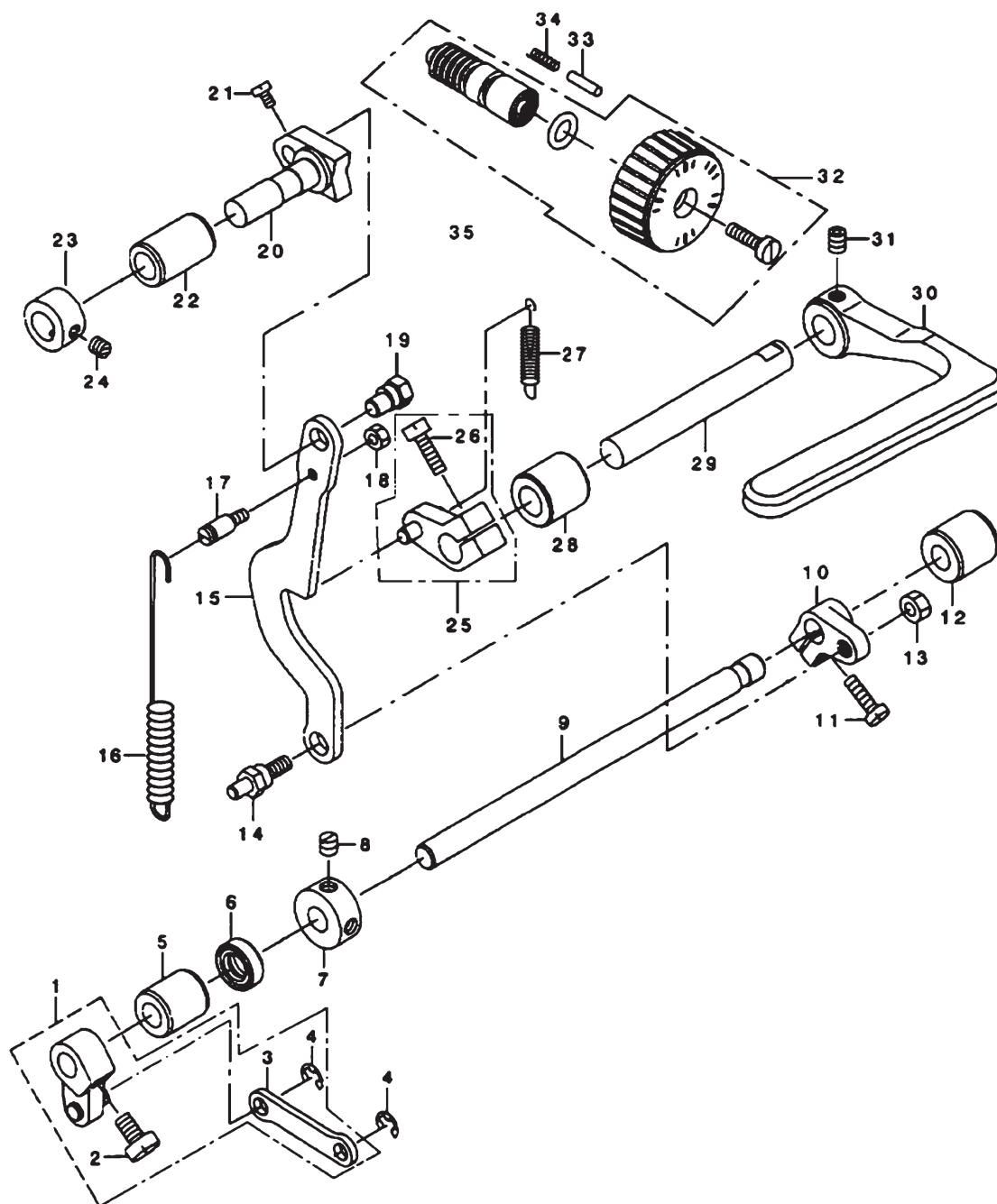
5、针杆摆动部件

THE NEEDLE BAR SWING COPONENTS

序号 No.	件号 Part No.	名称	Name of the part	数量 Qty.
1	10022509	针杆支架组件	ROCKING BASE COMPL	1
2	10022340	轴套	BUSHING	1
3	10023449	针杆滑块导轨	SLIDE BLOCK GUIDE	1
4	10003549	轴承	BEARING	1
5	10014395	螺钉	SCREW	1
6	10023454	针杆摆动小连杆	DRIVING LINK	1
7	10022856	销	LINK PIN	2
8	10022363	小连杆销堵塞	PLUG	4
9	10022354	螺钉	SCREW	2
10	10022355	摆动轴前曲柄	DRIVING CRANK FRONT	1
11	10004611	螺钉	SCREW	1
12	10022338	轴套	BUSHING	1
13	10022356	针杆支架摆动轴	NEEDLE FEED SHAFT	1
14	10011284	挡圈	COLLAR	2
15	10022339	轴套	BUSHING	1
16	10012014	螺钉	SCREW	2
17	10010030	螺钉	SCREW	2
18	10012855	螺母	NUT	2
19	10022357	摆动轴后曲柄	DRIVING CRANK REAR	1
20	10022359	垫圈	WASHER	2
21	10022353	大连杆分组件	NEEDLE FEED ROD CPMPL	1
22	10014106	轴承	BEARING	2
23	10022358	螺钉	SCREW	1
24	10022858	螺钉	SCREW	1
25	10022857	连接螺钉	SCREW	1
26	10022360	针杆支架摆动调节曲柄	NEEDLE FEED ARM	1
27	10022362	针杆支架固定基座	GUIDE	1
28	10022361	针杆支架固定座	GUIDE	1
29	10011794	螺钉	SCREW	2
30	10012507	螺钉	SCREW	2
31	10008105	油线	WICK	1

6、倒缝部件

FEED ADJUST MECHANISM COMPONENTS

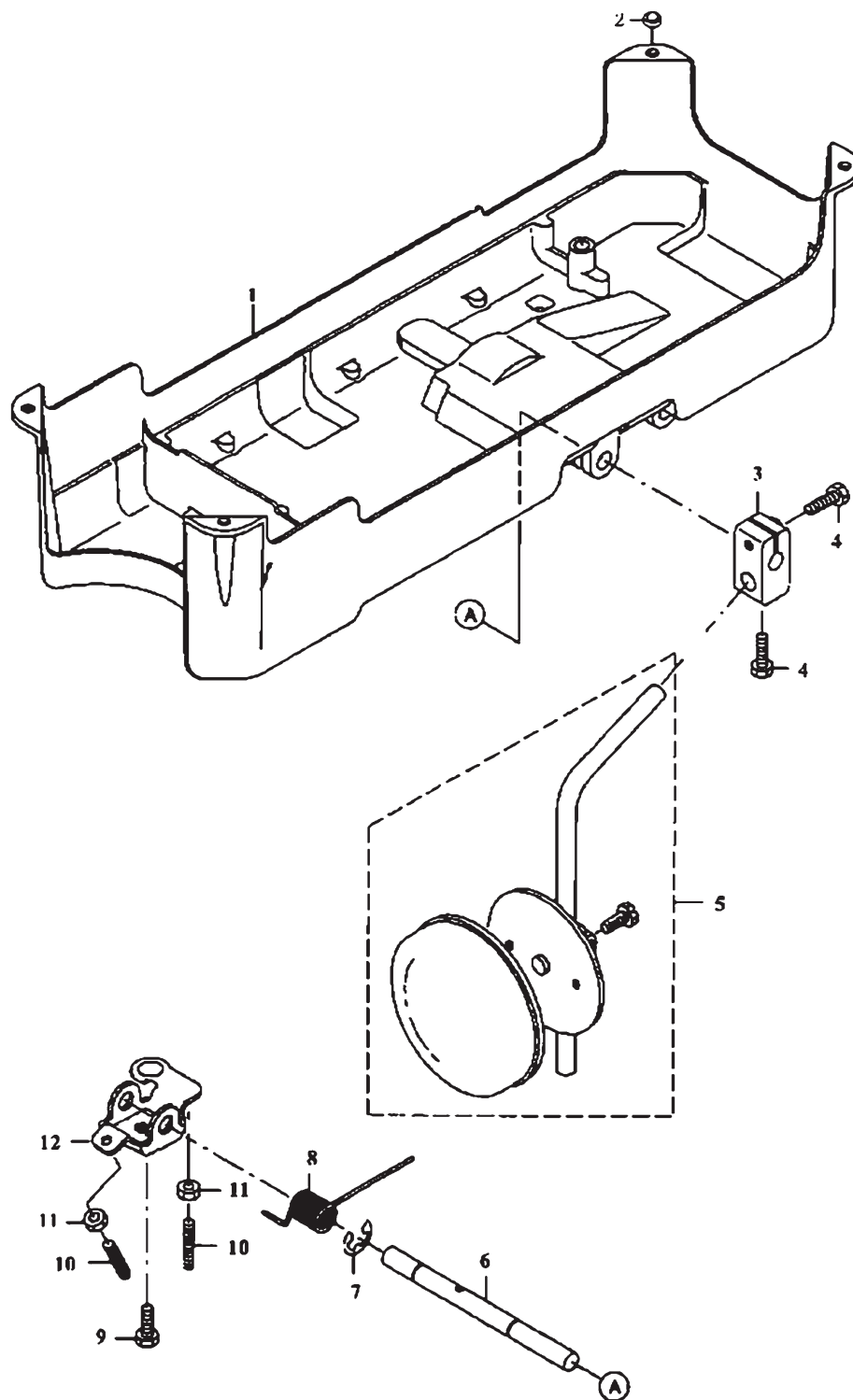


6、倒缝部件

FEED ADJUST MECHANISM COMPONENTS

序号 No.	件号 Part No.	名称	Name of the part	数量 Qty.
1	20008145	送料摆动座前曲柄销组件	FEED CHANGING SHAFT ARM. A	1
2	10010092	送料摆动座前曲柄螺钉	SCREW	1
3	10026508	送料摆动座摆动连板	LINK	1
4	10010649	送料摆动座前曲柄销卡簧	RING	1
5	10012629	针距调节轴前套	METAL, A	1
6	10012622	针距调节轴油封	FEED CHANGING SHAFT OIL SEAL	1
7	10012627	针距调节轴挡圈	COLLAR	1
8	10003921	螺钉	SCREW	2
9	10013867	针距调节轴	SHAFT	1
10	10012424	送料摆动座后曲柄	FEED CHANGING SHAFT ARM, B	1
11	10010095	螺钉	SCREW	1
12	10012586	针距调节轴后套	METAL, B	1
13	10012620	摆动座后曲柄连接销螺母	NUT	1
14	10012418	送料摆动座后曲柄连接销	SCREW	1
15	10012680	针距调节连接板	FEED ADJUSTING ROD	1
16	10031476	倒送料调节簧	SPRING	1
17	10012635	弹簧挂销	SPRING SUSPENSING	1
18	10010106	弹簧挂销螺母	NUT	1
19	10013866	针距调节偏心销	FEED ADJUSTING PIN	1
20	10012583	针距调节座	FEED ADJUSTING BASE	1
21	10010643	螺钉	SCREW	2
22	10012626	针距座轴套	METAL	1
23	10012428	针距调节座挡圈	COLLAR	1
24	10005020	针距调节座挡圈螺钉	SCREW	2
25	20000150	倒缝扳手曲柄组件	FEED LEVER ARM ASM	1
26	10010095	螺钉	SCREW	1
27	10012676	倒送料曲柄簧	SPRING	1
28	10012578	倒送料扳手轴轴套	METAL	1
29	10012419	倒送料轴	SHAFT	1
30	20003414	倒送料扳手	FEED LEVER ARM ASM	1
31	10009187	螺钉	SCREW	2
32	20007039	针距标盘组件	FEED DIAL ASM	1
33	10013870	针距旋钮锁销	PIN	1
34	10013869	针距旋钮锁簧	SPRING	1

7、油盘漆提部件 UNDER COVER COMPONENTS



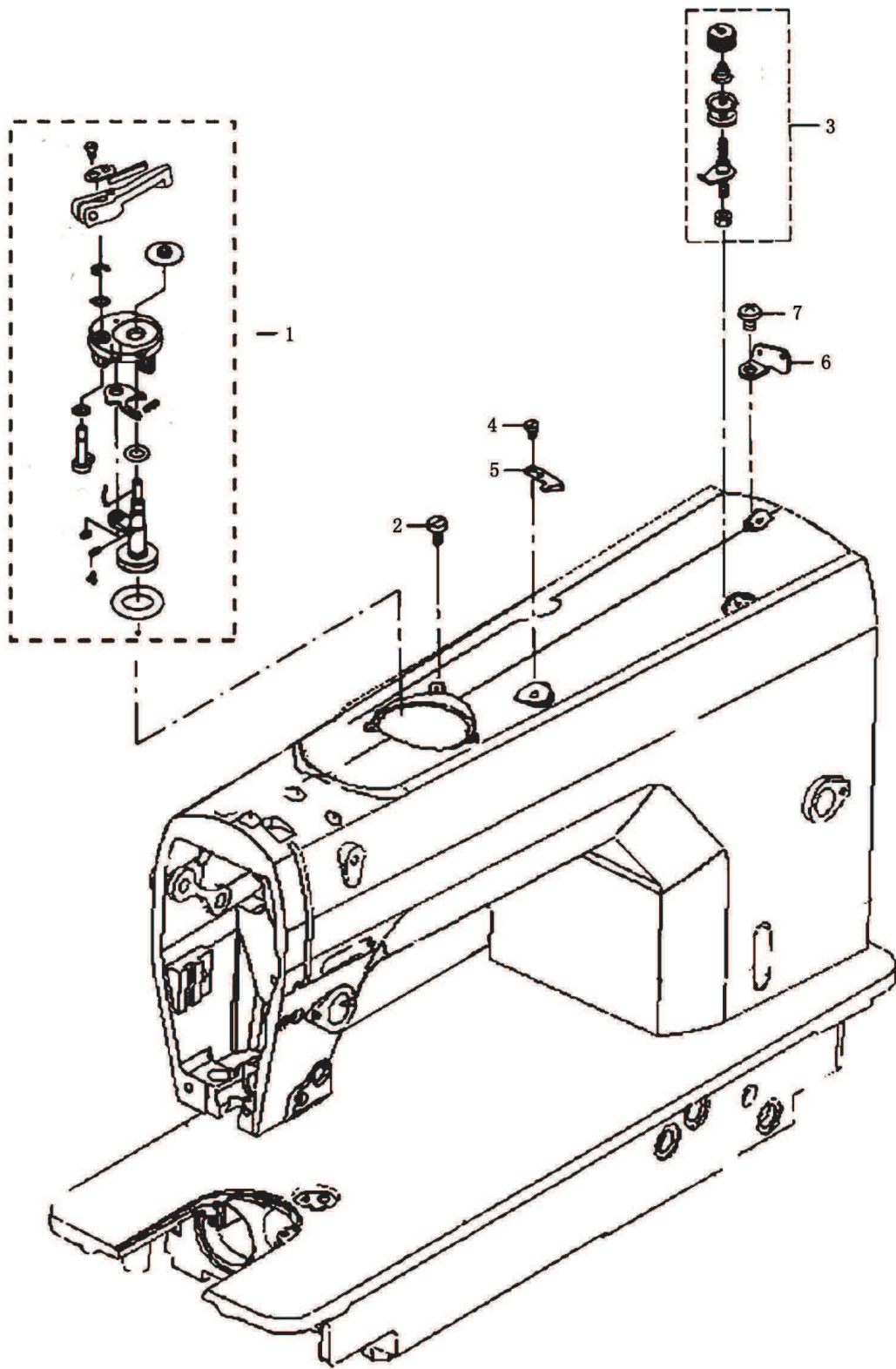
7、油盘膝提部件

UNDER COVER COMPONENTS

序号 No.	件号 Part No.	名称	Name of the part	数量 Qty.
1	10012632	油盘	Under Cover	1
2	10013102	机头座垫	Head Gasket	4
3	10003896	抬压脚操纵接头	Bracket	1
4	10002613	GB/T5781-2000M8×20螺栓	Screw	2
5	10009985	操纵杆部件	Knee Pad Plate Asm	1
6	10008450	抬压脚轴 I	Knee Press Rod I	1
7	10002559	9.8×20×1挡圈	E-Ring	1
8	10012677	弹簧	Spring	1
9	10003898	螺钉	Screw	2
10	10003895	M6×30螺钉	Screw M6 L=30	2
11	10003890	M6×3.2螺母	Nut M6	4
12	10008463	膝控限位架 I	Bracket	1
13	10008465	螺钉	Screw	2
14	10008464	连接板	Connecting Rod	1
15	10008466	抬压脚轴 II	Knee Press Rod II	1
16	10008383	膝控限位架 II	Connecting Rot	1

8、绕线部件

BOBBIN WINDER COMPONENTS



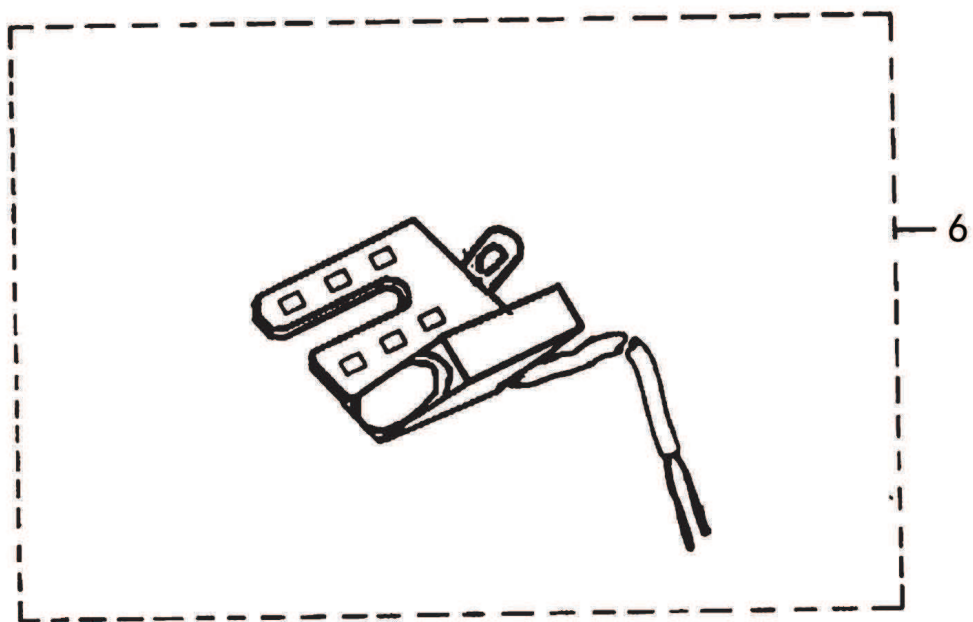
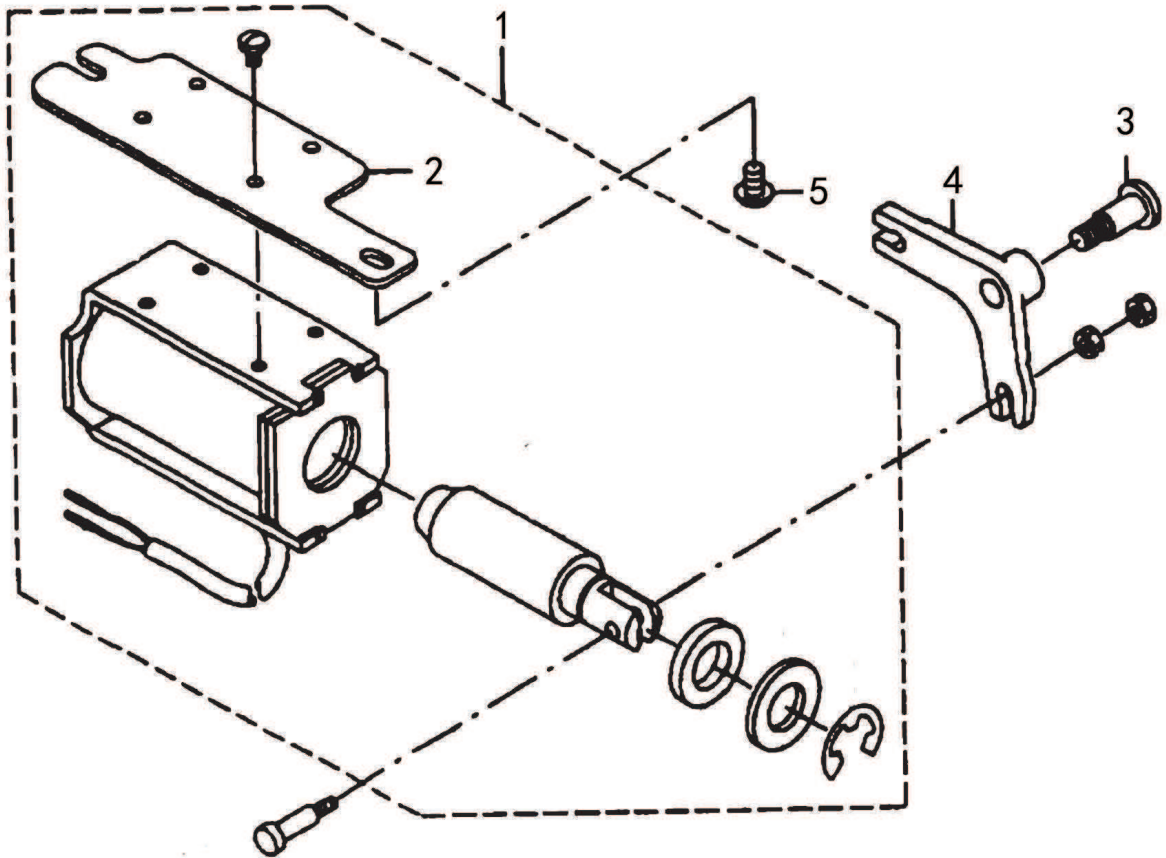
8、绕线部件

BOBBIN WINDER COMPONENTS

序号 No.	件号 Part No.	名称	Name of the part	数量 Qty.
1	10029803	绕线器	BOBBIN DEVICE ASM	1
2	10009868	绕线器螺钉	SCREW	3
3	10013064	绕线夹线器组件	BOBBIN THREAD TENSION ASM	1
4	10011143	切刀螺钉	SCREW	2
5	10010197	绕线切刀	THREAD CUTTER	1
6	10011200	上过线板	THREAD GUIDE PLATE	1
7	10011158	螺钉	SCREW	1

9、自动倒缝部件

AUTOMATIC REVERSE FEED COMPONENTS



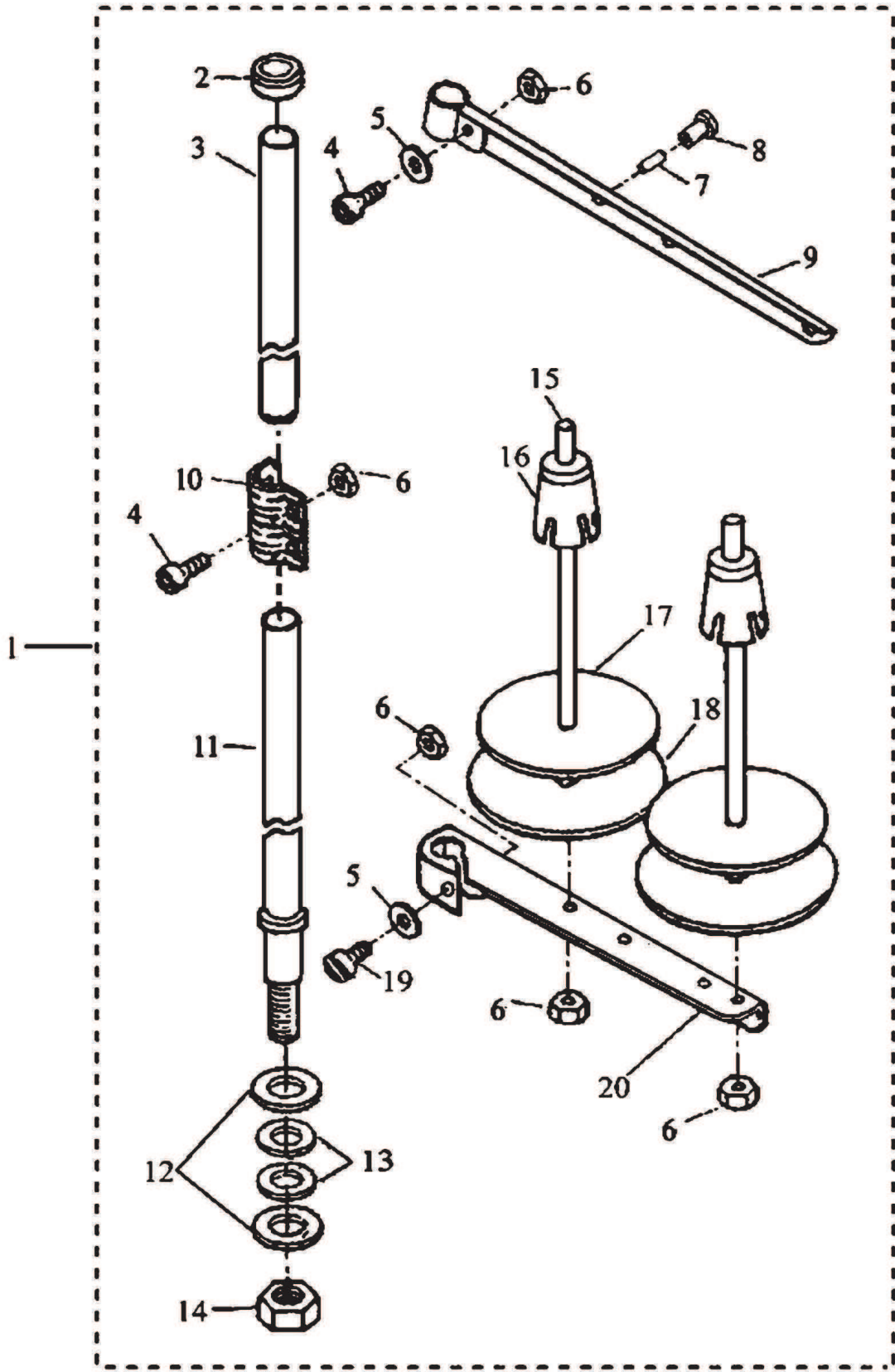
9、自动倒缝部件

AUTOMATIC REVERSE FEED COMPONENTS

序号 No.	件号 Part No.	名称	Name of the part	数量 Qty.
1	10030678	自动倒缝电磁铁组件	REVERSE FEED SOLENOIN BASE ASM	1
2	10005820	电磁铁支架	REVERSE FEED SOLENOIN BASE ASM	1
3	10012628	倒缝摆臂螺钉	SCREW	2
4	10012587	倒缝摆臂	REVERSE FEED ARM	1
5	10012142	倒缝电磁铁螺钉	SCREW	2
6	10023457	点动送料开关组件	OPTION SWITCH ASM	1

10、过线架部件

THREAD STAND COMPONENTS



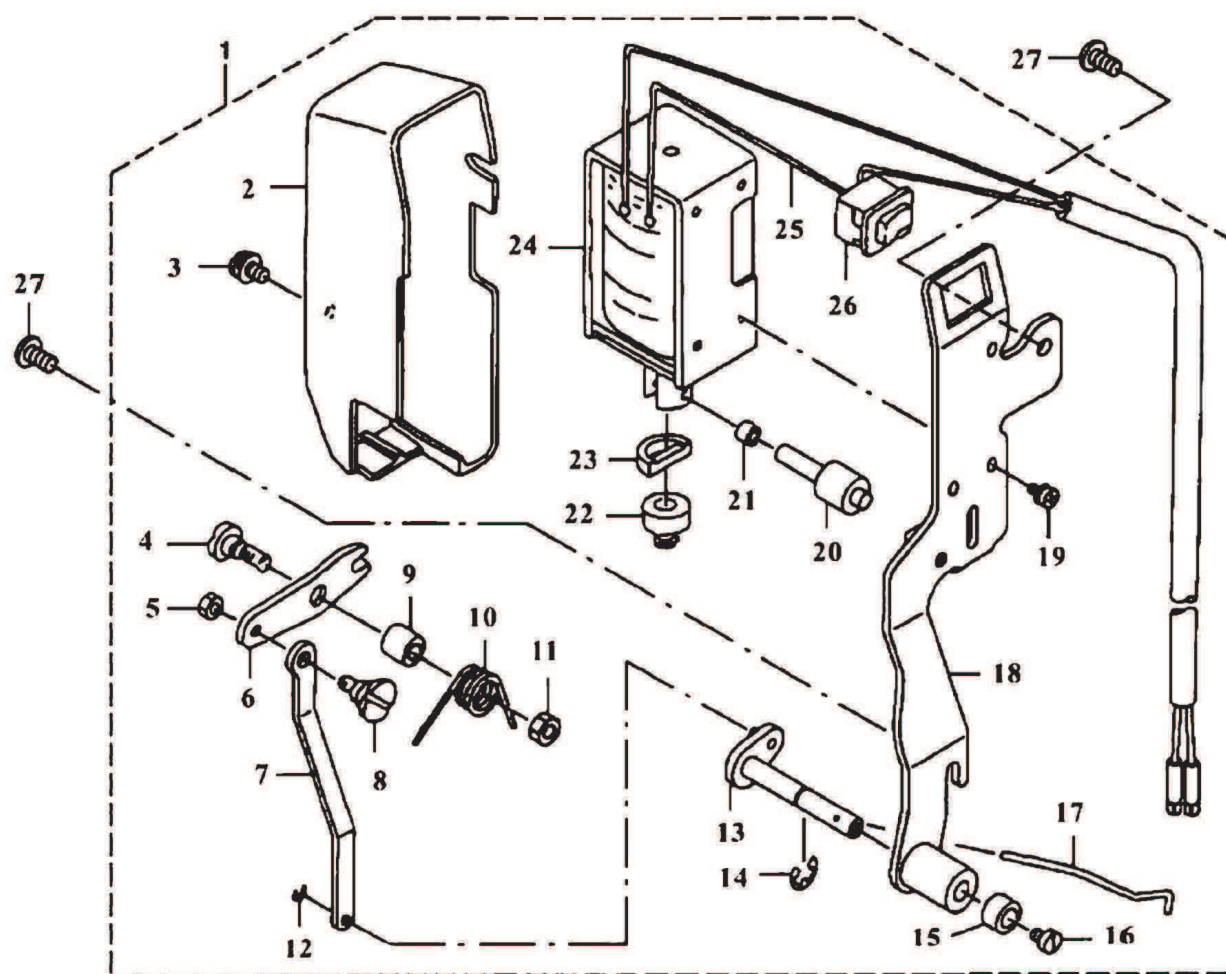
10、过线架部件

THREAD STAND COMPONENTS

序号 No.	件号 Part No.	名称	Name of the part	数量 Qty.
1	10007130	二线架组件	THREAD STAND ASM	
2	10004282	撑管套	COLUMN CAP	1
3	10004293	线架上撑管	COLUMN PIPE	1
4	10003301	上过线架螺钉	SCREW	2
5	10003022	上过线架垫圈	WASHER	2
6	10002953	上过线架螺母	NUT	5
7	10004289	过线管	THREAD GUIDE PIPE	1
8	10004285	过线管套	THREAD GUIDE BUSHING	1
9	10004298	上过线架	THREAD HANGER	1
10	10004286	撑管夹	COLUMN PIPE CONNECTOR	1
11	10004291	线架下撑管	COLUMN PIPE	1
12	10004295	线架下撑管垫圈	WASHER	2
13	10004290	垫圈	WASHER	2
14	10002953	下过线架螺母	NUT	1
15	10004288	线轴	SPOOL PIN	2
16	10004287	线盘塑料压块	SPOOL CUSHION	2
17	10004281	线盘软垫	SOFT CUSHION OF THREAD PLARE	2
18	10004299	线盘	THREAD PLATE	2
19	10003312	下过线架螺钉	SCREW	1
20	10004284	下过线架	THREAD HANGER	1

10、拔线部件

WIPER COMPONENTS



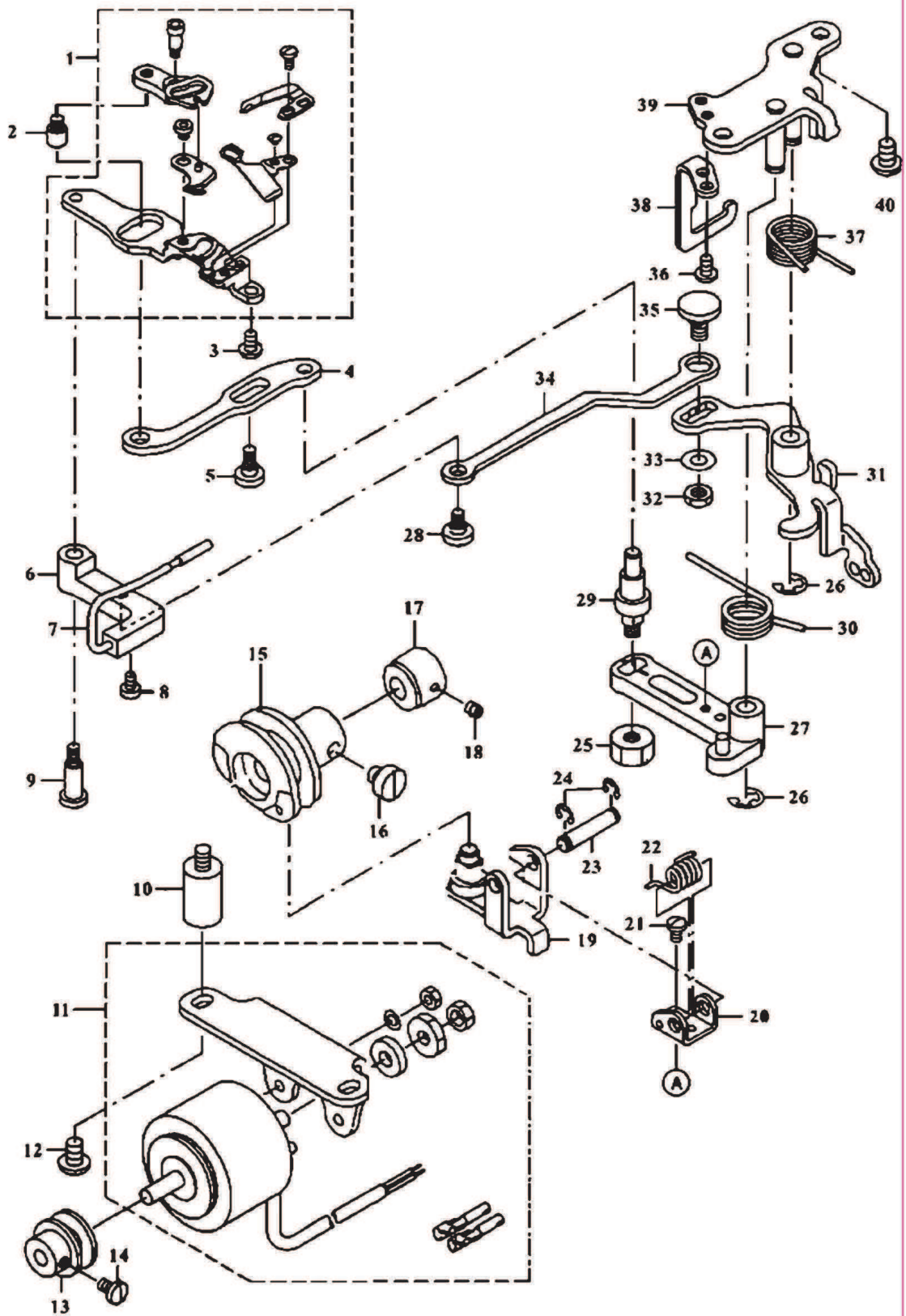
11、拨线部件

WIPER COMPONENTS

序号 No.	件号 Part No.	名称	Name of the part	数量 Qty.
1	10012526	拨线分组件	WIPER ASM	1
2	10005724	拨线器罩	WIPER COVER	1
3	10003036	拨线器罩螺钉	SCREW	1
4	10005726	传动板轴位螺钉	SCREW	1
5	10005766	拉杆轴位螺钉螺母	NUT	1
6	10005772	拨线传动板	WIPER LINK A	1
7	10005783	拨线拉杆	WIPER LINK B	1
8	10005738	拉杆轴位螺钉	SCREW	1
9	10005767	轴位螺钉定位套	COLLAR	1
10	10005770	传动板复位簧	SPRING	1
11	10005735	轴位螺钉螺母	NUT	1
12	10024749	拨线拉杆轴挡圈	COLLAR	1
13	10005829	拨线驱动轴部件	WIPER SHAFT ASM	1
14	10010649	拨线驱动轴挡圈	COLLAR	1
15	10005725	螺钉套圈	COLLAR	1
16	10005734	拨线杆紧定螺钉	SCREW	1
17	10005765	拨线杆	WIPER	3
18	10005811	拨线电磁铁支架组件	WIPER BASE SAM	1
19	10003082	垫圈	WASHER	1
20	10005719	铁芯传动销	WIPER SOLENOID PIN	1
21	10005769	传动销滚柱	WIPER LINK COLLAR	1
22	10005812	铁芯复位垫	WIPER RUBBER A	1
23	10005739	铁芯橡皮垫	WIPER RUBBER B	2
24	10005736	拨线电磁铁	WIPER SOLENOID PIN	1
25	10006293	拨线器电线	ELECTRIC WIRE	1
26	10006263	拨线器开关	POWER SWITCH	1
27	10008972	拨线分组件固定螺钉	SCREW	2

12.1 自动剪线部件 (平刀)

THREAD TRIMMER COMPONENTS



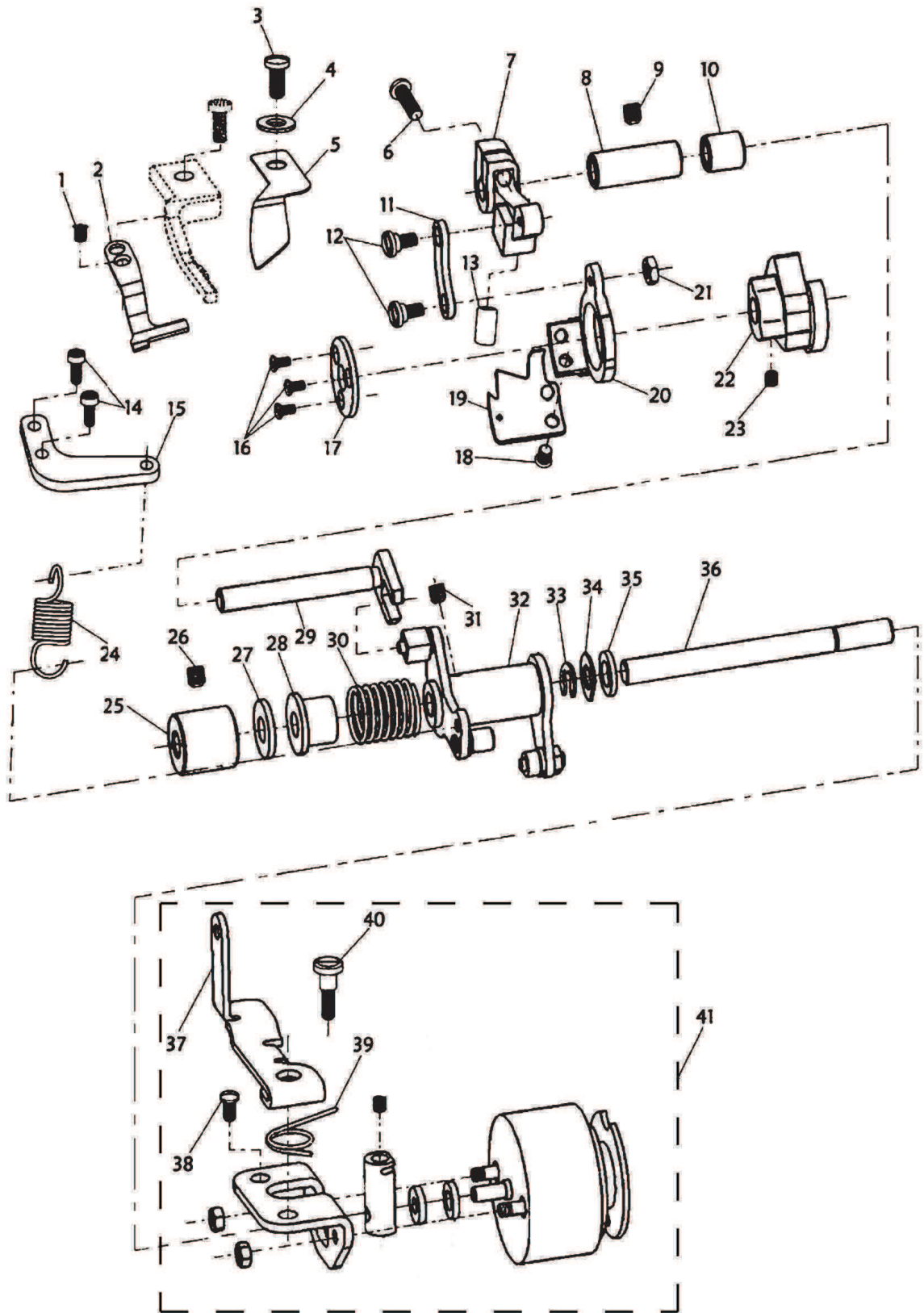
12.1 自动剪线部件 (平刀)

THREAD TRIMMER COMPONENTS

序号 No.	件号 Part No.	名称	Name of the part	数量 Qty.
1	10013114	剪线刀部件	KNIFE UNIT	1
2	10005720	刀体销	PIN	1
3	10012600	螺钉	SCREW	1
4	10005683	动刀连杆	MOVING KNIFE LINK	1
5	10012630	动刀连杆轴位螺钉	SCREW	1
6	20000188	挡线体组件	PICKER ARM	1
7	10013062	挡线支杆组件	THREAD TAKE-UP PICKER ASM	1
8	10010071	螺钉	SCREW	1
9	10005659	挡线连杆销	HINGE SCREW	1
10	10012580	支撑钉	BEIT COVER SUPPORT B	2
11	10012527	自动剪线电磁铁部件	SOLENOID	1
12	10012142	螺钉	SCREW	2
13	10012573	剪线驱动轮	DRIVING BLOOK	1
14	10012525	螺钉	SCREW	1
15	10012451	剪线凸轮	THREAD TRIMMER CAM ASM	1
16	10012472	螺钉	SCREW	2
17	10012624	挡圈	COLLAR	1
18	10010059	螺钉	SCREW	2
19	10005635	凸轮滚柱	PICKER LINK	1
20	10005636	托板支承架	ROLLER ARM BRACKET	1
21	10010016	螺钉	SCREW	1
22	10005676	弹簧	SPRING	1
23	10005668	销	SCREW	1
24	10012795	挡圈	COLLAR	2
25	10005808	螺母	NUT	1
26	10005634	离合架挡圈	COLLAR	2
27	10005774	剪线驱动曲柄	KNIEE DRIVING ARM ASM	1
28	10012733	挡线器连接螺钉	SCREW	1
29	10005817	动刀连接销	MOVING KNIFE LINK PIN	1
30	10005846	剪线驱动曲柄复位簧	DNIFE RETURN DPRING B	1
31	10005782	离合架组件	CLUTCH PLATE ASM	1
32	10005809	螺母	NUT	1
33	10005637	垫圈	WASHER	1
34	10005781	挡线器拉杆	PICKER LINK	1
35	10005659	螺钉	SCREW	1
36	10010074	螺钉	SCREW	2
37	10005824	弹簧	SPRING	1
38	10005818	剪线定位保护板	DRIVING ARM STOPPER	1
39	10005816	剪线驱动座组件	BASE PLATE ASM	1
40	10012142	螺钉	SCREW	2

12.2 自动剪线部件 (旋刀)

THREAD TRIMMER COMPONENTS (Rotation knife)



12.2、自动剪线部件（旋刀）

THREAD TRIMMER COMPONENTS

序号 No.	件号 Part No.	名称	Name of the part	数量 Qty.
1	10011422	螺钉	SCREW 9/64-40	1
2	10011421	定刀	FIXED KNIFE	1
3	10014474	螺钉	SCREW 11/64-40	1
4	10013154	垫圈	WASHER 9×4.5×0.8	1
5	10011584	分线器	DISPART THREAD SHUTTLE	1
6	10008863	螺钉	SCREW 3/16-32	1
7	10013013	切线驱动曲柄	TRIMMING CRANK	1
8	10013024	轴套	BUSHING	1
9	10012162	M5×5螺钉	SCREW	1
10	10013027	轴套	SHORT BUSHING	1
11	10013044	刀轴连杆	KNIFE SHAFT CONNECTING BAR	1
12	10026142	螺钉	SCREW 11/64-40	2
13	10041773	切线驱动曲柄止动块	CRANK BLOCK	1
14	10010595	M4×7.5螺钉	SCREW	2
15	10013023	弹簧固定板	FIXED PLATE	1
16	10009626	M3×4.35螺钉	SCREW	3
17	10013026	刀架压板	KNIFE HOLDER	1
18	10011588	螺钉	SCREW 11/64-40	2
19	10030280	动刀	ROUND KNIFE	1
20	10013045	动刀架	ROUND KNIFE BRACKET	1
21	10005297	螺母	NUT 11/64-40	1
22	10010736	剪线凸轮	THREAD TRIMMER CAM	1
23	10013465	螺钉	SCREW 1/4-40	2
24	10013030	弹簧	SPRING	1
25	10014462	轴套	BUSHING	1
26	10012162	M5×5螺钉	SCREW	1
27	10013008	8.2垫圈	WASHER	1
28	10014196	扭簧端盖	SPRING COVER	1
29	10013007	切线驱动曲柄轴	TRIMMING CRANK SHAFT	1
30	10008812	弹簧	SPRING	1
31	10008862	螺钉	SCREW 1/4-40	1
32	10013878	切线凸轮曲柄组件	TRIMMING CAM CRANK ASM	1
33	10013038	5挡圈	WASHER	1
34	10014460	8.2垫圈	WASHER	1
35	10011650	8.2×15×2垫圈	WASHER 8.2×15×2	1
36	10011697	切刀驱动轴	TRIMMING SHAFT	1
37	10013050	松线座	LOOSING THREAD PLATE	1
38	10011605	螺钉	SCREW 1/4-28	1
39	10008834	松线复位弹簧	LOOSING THREAD RETURN SPRING	2
40	10012467	螺钉	SCREW 1/4-28	11

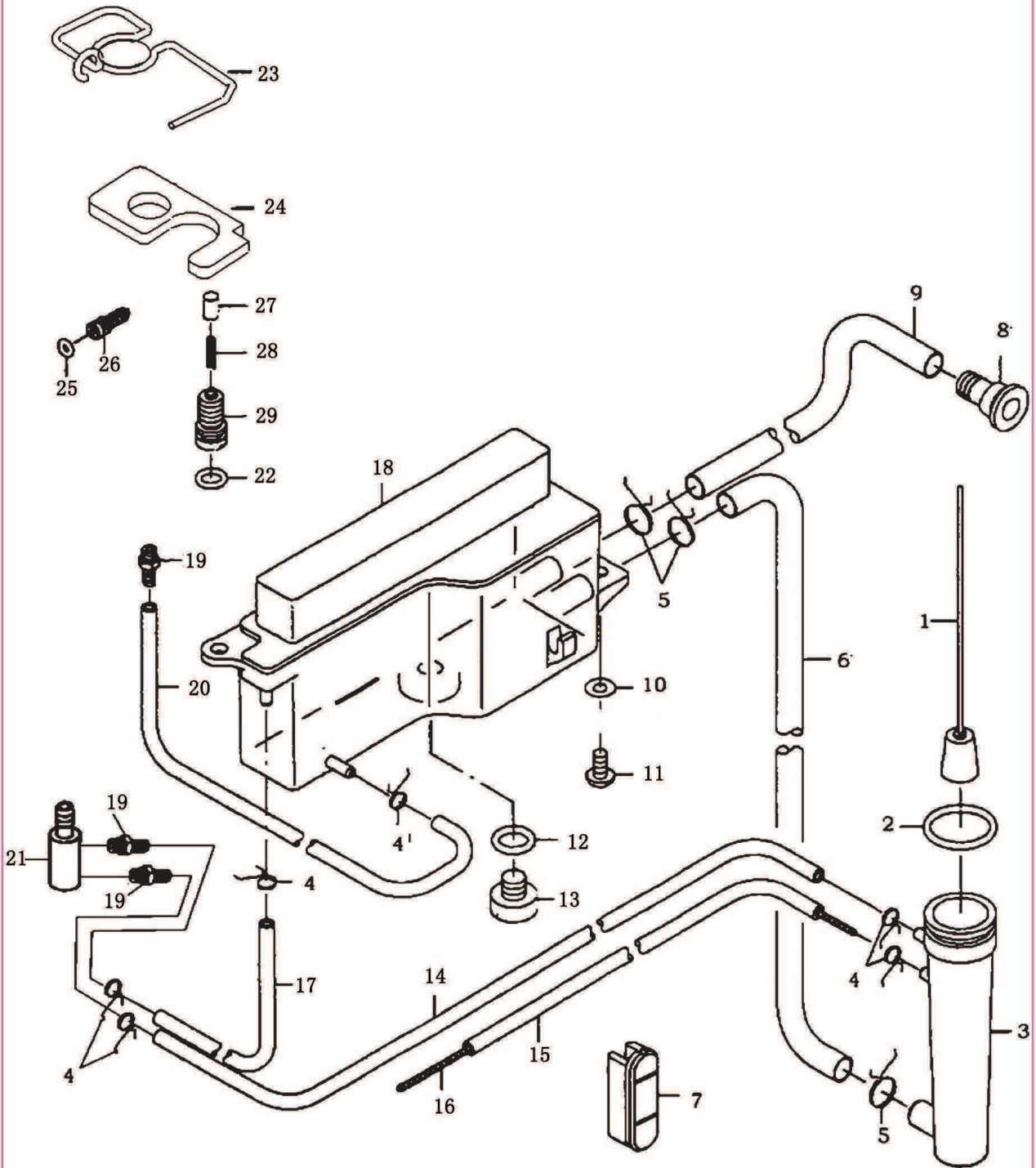
12.2、自动剪线部件（旋刀）

THREAD TRIMMER COMPONENTS

序号 No.	件号 Part No.	名称	Name of the part	数量 Qty.
41	10013047	剪线电磁铁组件	THREAD TRIMMER SOLENOID ASM	1

13、润滑部件

OIL LUBRICATION COMPONENTS



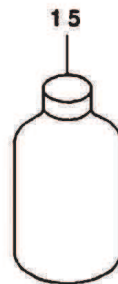
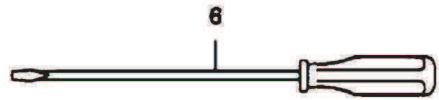
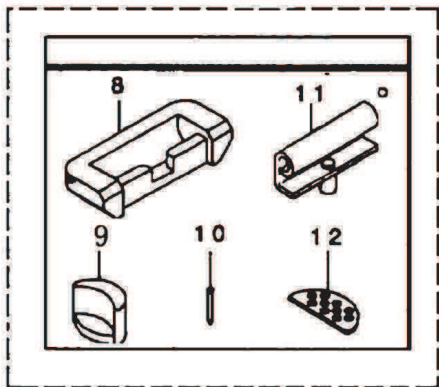
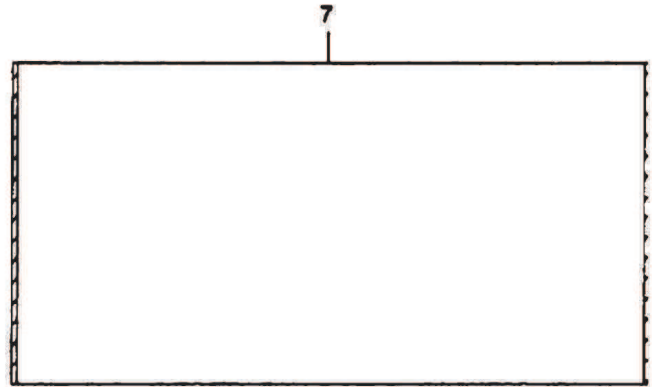
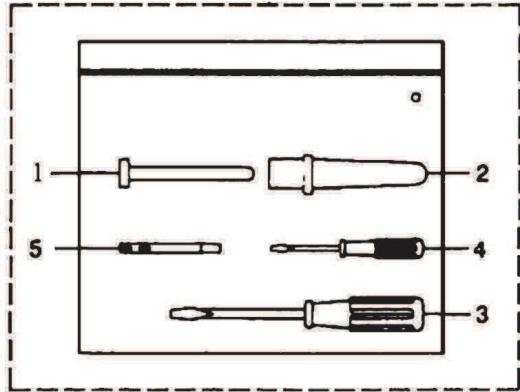
13、润滑部件

OIL LUBRICATION COMPONENTS

序号 No.	件号 Part No.	名称	Name of the part	数量 Qty.
1	10000569	油标	FLOATER ASM	1
2	10008777	油杯O形圈	RUBBER RING	1
3	10008782	油杯	FLOATER CASE	1
4	10008781	小油管紧固簧	PIPE STOPPER A	4
5	10008785	大油管紧固簧	PIPE STOPPER B	3
6	10007806	油管	TUBE	1
7	10008772	油标窗	OIL SIGHT WINDOW	1
8	10026510	加油杯	OIL INLE	1
9	10007806	油管	TUBE	1
10	10005537	垫圈	WASHER	1
11	10008972	螺钉	SCREW	2
12	10010240	O形圈	RING	2
13	10008783	油盒短螺钉	SCREW	1
14	10007800	油管	TUBE	1
15	10007800	油管	TUBE	1
16	10008101	油线	WICK	1
17	10007800	油管	TUBE	1
18	10012669	油盒	TANK ASM	1
19	10029791	油管接头	LUBRICATION CONNECTOR	3
20	10007800	油管	TUBE	1
21	10013049	油管三接头	DISTRIBUTOR	1
22	10014461	O形圈	RING	1
23	10022507	毛毡压簧	OIL FELT PRESSER	1
24	10022345	毛毡	OIL RETURN FELT	1
25	10012606	油量调节螺钉O型圈	RING	1
26	10012667	油量调节螺钉	SCREW	1
27	10012609	柱塞	PLUNGER	1
28	10014386	柱塞簧	PLUNGER SPRING	1
29	10013025	螺钉	SCREW	1

14、附件

ACCESSORIE PART COMPONENTS



14、附件

ACCESSORIE PART COMPONENTS

序号 No.	件号 Part No.	名称	Name of the part	数量 Qty.
1	10012631	抬压脚顶杆	KNEE LIFTER PRESSER ROD	1
2	10004514	机头支柱	FRAME SUPPORT BAR	1
3	10010995	中螺丝刀	SCREW DRIVER, MIDDLE	1
4	10013185	小螺丝刀	SCREW DRIVER, SMALE	1
5	10005639	过线杆组件	NEEDLE THREAD GUIDE ASM	1
6	10010994	大螺丝刀	SCREW DRIVER, LARGE	1
7	10005776	机头罩	FRAMEVINYL COVER	1
8	10006286	机头连接钩座	RUBBER CUSHION	2
9	10013113	油盘支座	OIL RESERVIOIR SEAT	2
10	10003889	机头连接钩座钉	NAIL	6
11	10004466	机头连接钩部件	HINGE COMPL	2
12	10013101	油盘座垫	OIL RESERVIOIR CUSHION	2
13	10025484	梭芯	BOBBIN	3
14	10013294	小油壶	OILER ASM	1
15	10004455	油箱	OIL BOTTLE WITH OIL	1
16	10036288	机针	NEEDLE	1



ZOJE

中捷

中国·中捷缝纫机股份有限公司
ZOJE SEWING MACHINE CO., LTD.

地址：浙江玉环大麦屿开发区

ADD: DAMAIYU ZONE, YUHUAN, ZHEJIANG, 317604 CHINA

免费咨询电话: TEL: 800-857-6715