



# PEGASUS

## PARTS LIST

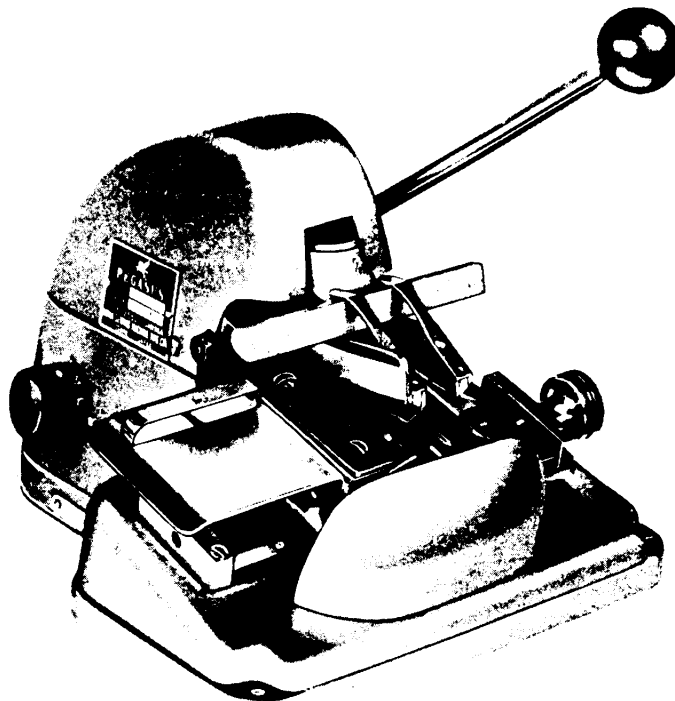
FOR WOVEN LABEL

# CUTTING & FOLDING

**MACHINE ENC SERIES**

**MODEL ENC-11 ENC-12 ENC-13**

**ENC-14 ENC-110**



**PEGASUS SEWING MACHINE MFG. CO., LTD.®**

**OSAKA - JAPAN - TOKYO**



## **IN ORDERING PARTS**

This list has been arranged to simplify ordering repair parts for ENC series machines, on the basis of model ENC-11.

Various sections of the mechanisms are shown on each page. On the pages opposite the illustrations, will be found a listing of the parts with their reference numbers, parts numbers, names and the number of pieces required.

Where the parts for ENC-11 and other ENC series machines are not the same, the difference for each model is shown on the pages 10 to 15.

At the back of this list, a numerical index of all parts is shown. This will facilitate locating the illustration and descriptions when only the part number is known.

In ordering parts from this list, the part number MUST be quoted exactly as it is shown in the second column on the page opposite the illustrations. Reference number should never be used in ordering parts.

## **部品表御利用に際して**

本部品表はENC-11型を基本にENCシリーズネーム自動切折機の修理用部品を容易に御利用できる様編集されています。

機構別に各頁に収録され、部品図解頁（左開き）の反対頁（右開き）には参照番号、部品番号、名称、使用数量の順で記載されています。

ENC-11型と異なる他の機種専用部品は10頁から15頁にわたり各機種毎に分類、記載されています。

本部品表の最終頁(16頁)には部品番号索引表を付し、部品番号のみでその図解、名称等が容易に引き出せます。

本部品表に基き、部品御注文の際、参照番号は使用されず、必ず部品番号のみを明示下さい。

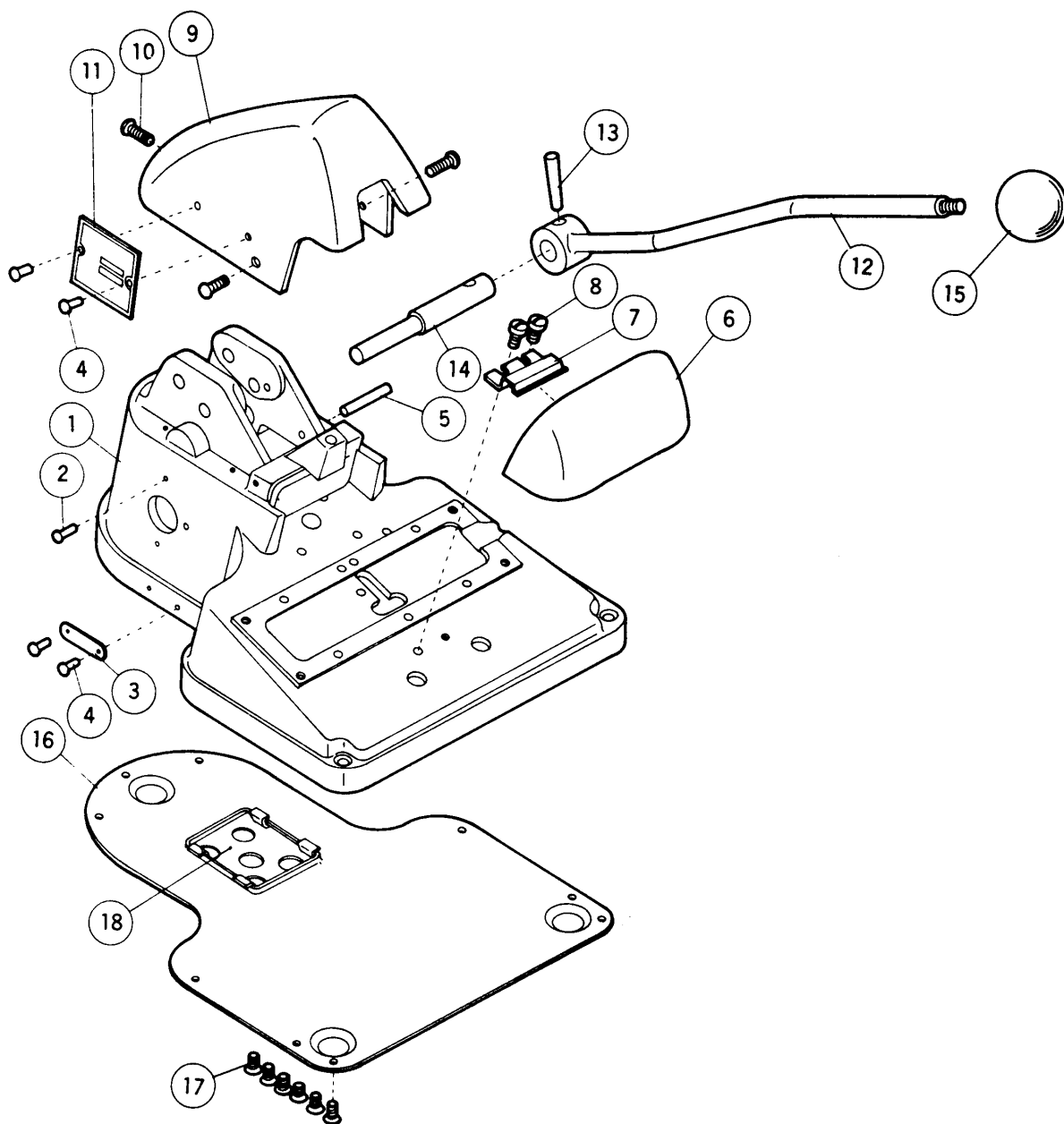
---

## **CONTENTS**

## **目 次**

PAGE

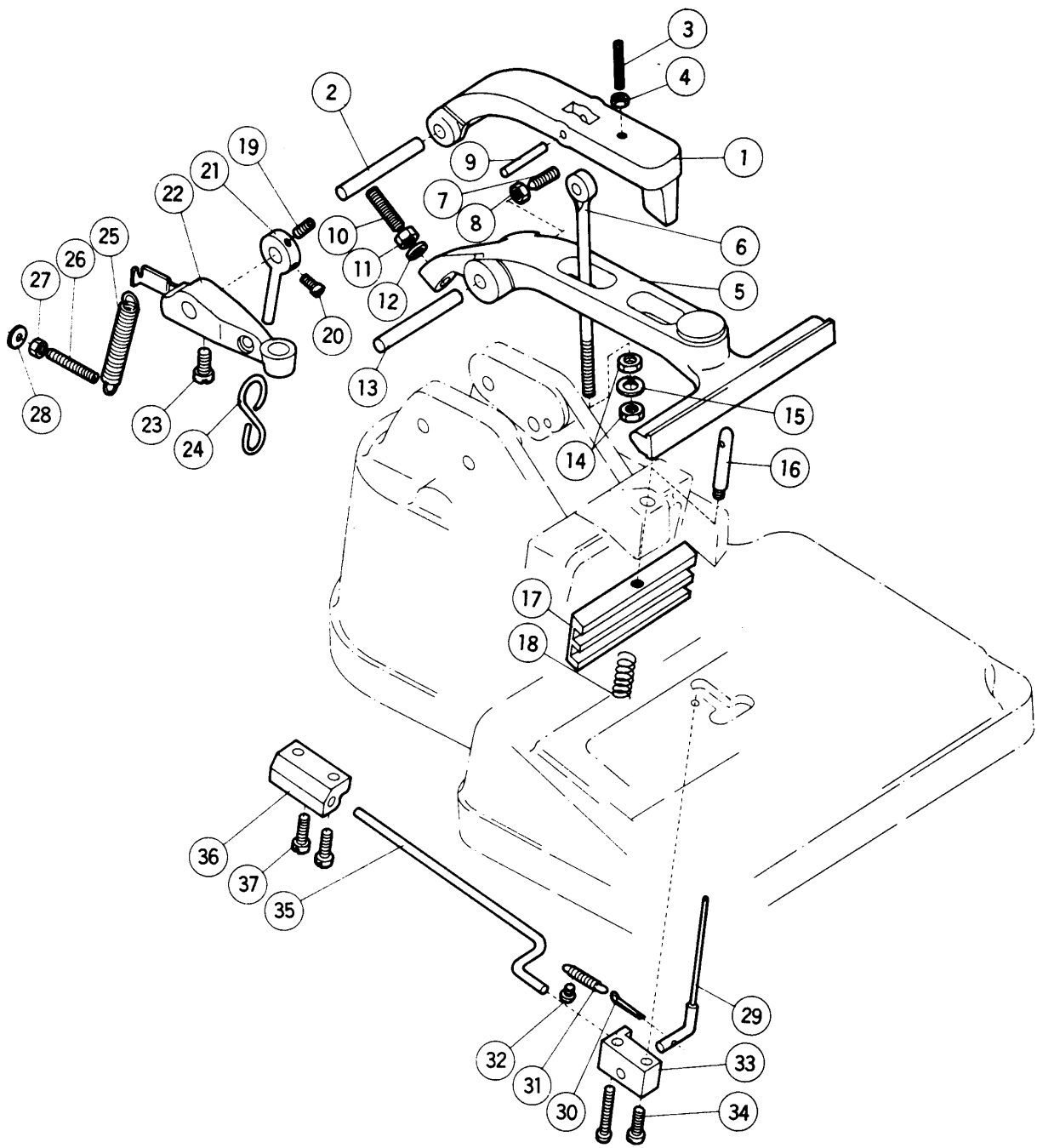
FRAME AND MISCELLANEOUS COVERS .....	カバー・外装関係.....	2 ~ 3
PRESSER, LIFT & 2-STEPPED CRANK MECHANISM.....	押え・昇降棒・二段挺子関係.....	4 ~ 5
PRESSER FRAME MOVING BASE & KNIVES.....	押え棒・移動台・上下メス関係.....	6 ~ 7
PARTS FOR ELECTRICAL DEVICE.....	電気装置関係.....	8 ~ 9
PARTS FOR MODEL ENC-12 & ENC-14 ONLY .....	ENC-12型及びENC-14型専用部品.....	10 ~ 11
PARTS FOR MODEL ENC-13 ONLY .....	ENC-13型専用部品.....	12 ~ 13
PARTS FOR MODEL ENC-110 ONLY.....	ENC-110型専用部品.....	14 ~ 15
NUMERICAL INDEX OF PARTS.....	部品番号索引.....	16



**FRAME AND MISCELLANEOUS COVERS**

**カバ ー・外 装 関 係**

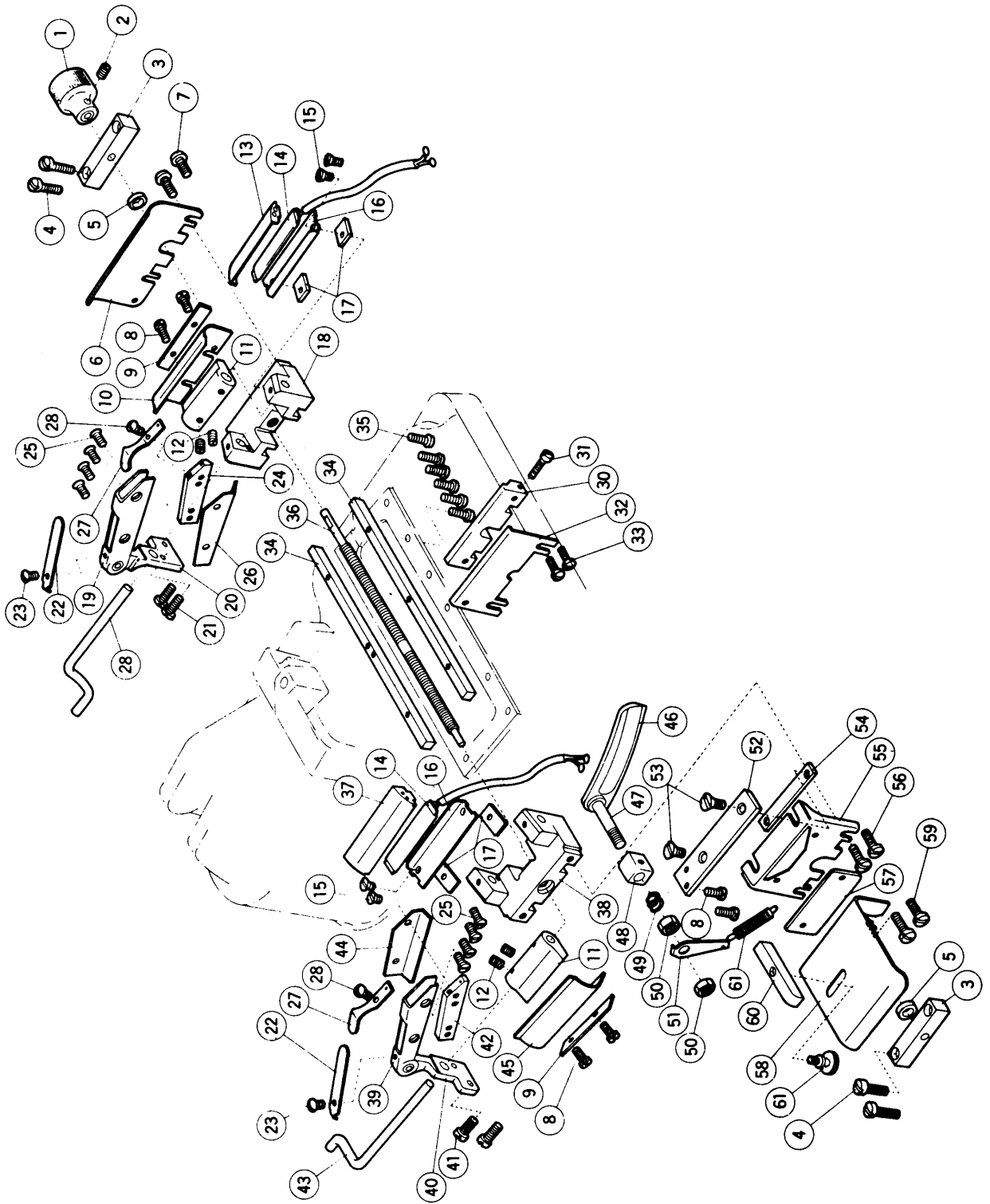
<u>Ref. No.</u> 参照番号	<u>Parts No.</u> 部品番号	<u>Name</u>	<u>名 称</u>	<u>Qt.</u> 個数
1	200	Bed	ベッド	1
2	119	Thermostat indication pin	サーモスタット指示ピン	1
3	206	Number plate	機板	1
4	121	"    and name plate pin	"    止めピン	4
5	122	Lever stop pin	レバーストップピン	1
<hr/>				
6	204	Front cover	前カバー	1
7	606	"    "    spring	"    板バネ	1
8	20	"    "    "    screw	"    "    止めネジ	2
9	202	Top cover	上カバー	1
10	21	"    "    screw	"    止めネジ	3
<hr/>				
11	207	Name plate	銘板	1
12	723	Lever	レバー	1
13	115	"    taper pin	"    止めテーパーピン	1
14	112	"    shaft	"    シャフト	1
15	789	"    knob	"    ニギリ	1
<hr/>				
16	201	Bottom plate	底板	1
17	11	"    "    screw	"    止めネジ	6
18	802	Auxiliary bottom plate	"    裏カバー	1



**PRESSER, LIFT & 2-STEPPED CRANK MECHANISM**

**押え・昇降杵・二段挺子関係**

<u>Ref. No.</u> 参照番号	<u>Parts No.</u> 部品番号	<u>Name</u>	<u>名 称</u>	<u>Qt.</u> 個数
1	720	Lift arm	昇降杵アーム	1
2	113	" " hing stud	〃 元ピン	1
3	29	" " regulating screw stud	〃 調節ネジ	1
4	40	" " " " " nut	〃 〃 ナット	1
5	721	Presser arm	押え杵アーム	1
6	724	" " connecting rod	昇降杵アーム引棒	1
7	27	" " stop screw	〃 ストップネジ	1
8	40	" " " " " nut	〃 〃 ナット	1
9	114	Lift arm pulling rod hinge stud	〃 引棒元ピン	1
10	28	Presser arm regulating screw stud	押え杵アーム調節ネジ	1
11	42	" " " " " nut	〃 〃 ナット	1
12	50	" " " " " spring washer	〃 〃 スプリングワッシャー	1
13	113	" " hing stud	〃 元ピン	1
14	41	Lift arm pulling rod stop screw nut	昇降杵アーム引棒ストップネジナット	2
15	50	" " " " " spring washer	〃 〃 スプリングワッシャー	1
16	116	" frame pin	昇降杵案内ピン	1
17	458	" frame	昇降杵	1
18	600	" " spring	昇降杵押えバネ	1
19	24	Ejecting key lever screw	飛出し装置元レバー止めネジ	1
20	25	" " " " (with round head)	〃 〃 (頭付)	1
21	725	" " lever	飛出し装置元レバー	1
22	722	2-stepped crank	二段挺子	1
23	26	" " screw	〃 止めネジ	1
24	731	" " connecting link	足踏用引金	1
25	604	" " pull-back spring	レバー戻しバネ	1
26	29	" " " " " screw	〃 止めネジ	1
27	40	" " " " " nut	〃 〃 ナット	1
28	52	" " " " " washer	〃 〃 ワッシャー	1
29	728	Ejecting pin	飛出しピン	1
30	60	" " split pin	〃 止めワリピン	1
31	603	" spring	飛出し装置バネ	1
32	35	" " screw	〃 〃 止めネジ	1
33	727	" " bracket	〃 飛出しピン支持台	1
34	23	" " " " screw	〃 〃 止めネジ	2
35	730	" pin connecting link	〃 連動ピン	1
36	726	" " " " " guide	〃 〃 案内	1
37	23	" " " " " screw	〃 〃 止めネジ	2

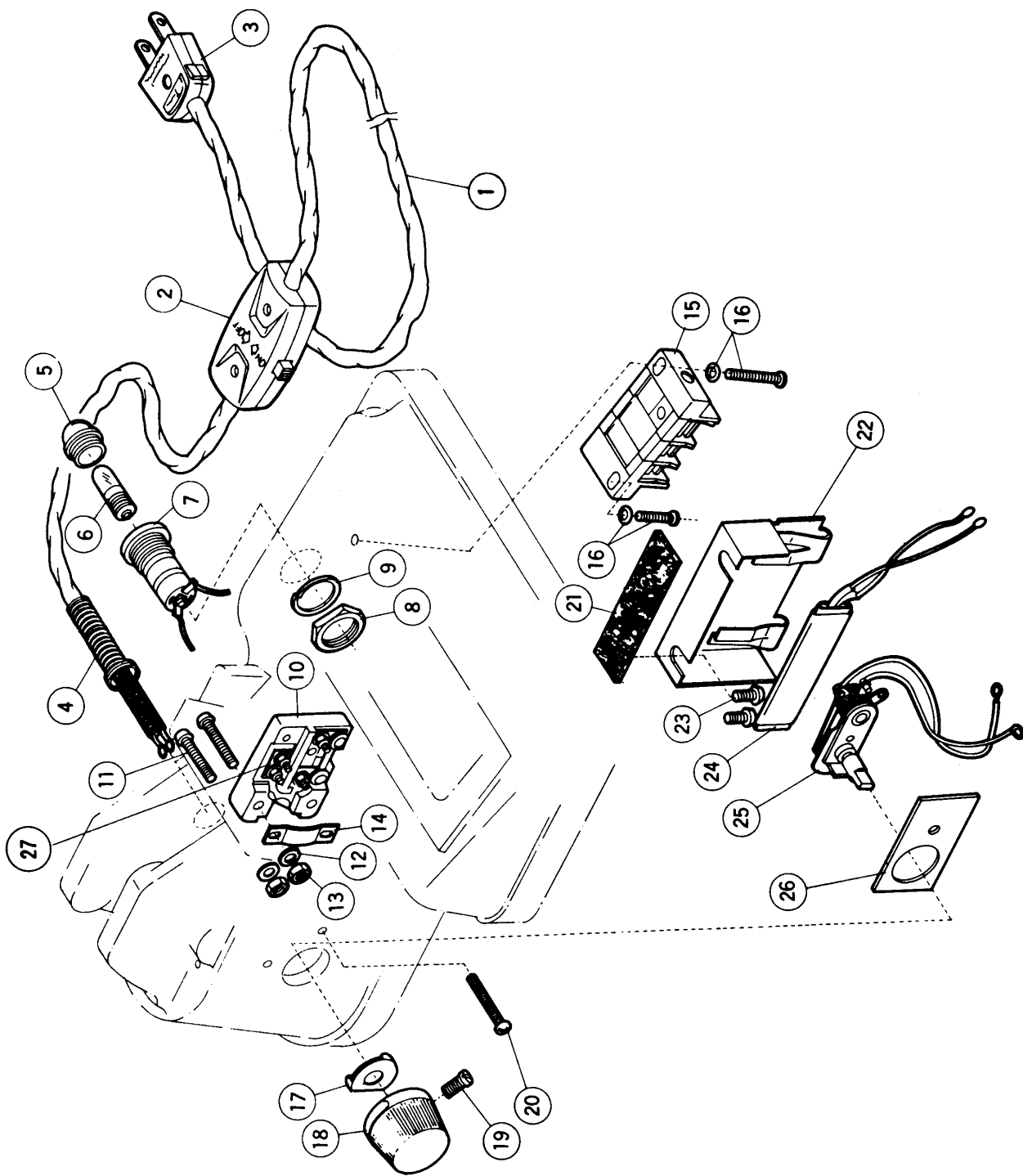




**PRESSER FRAME, MOVING BASE & KNIVES**

**押え枠・移動台・上下メス関係**

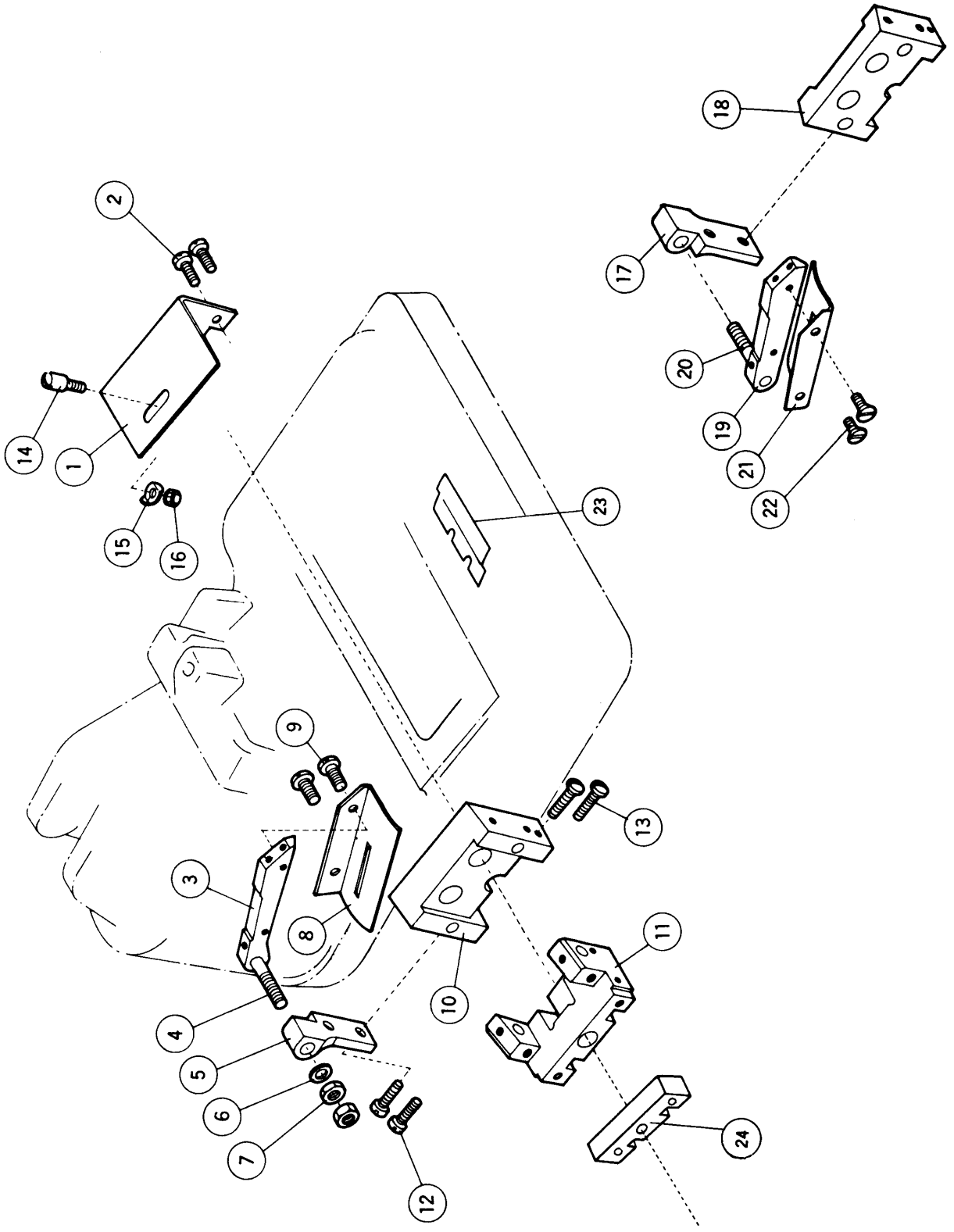
Ref. No. 参照番号	Parts No. 部品番号	Name	名称	Qt. 個数
1	455	Moving base turnbuckle knob	移動台 ターンバックルツマミ	1
2	24	" " " " screw	" " " 止めネジ(頭なし)	1
3	453	" " " " bracket	" " " ブラケット	2
4	17	" " " " screw	" " " 止めネジ	4
5	53	" " " " collar	" " " カラー	2
6	205	Machine cover (right)	横カバー	1
7	14	" " " " screw	" " 止めネジ	2
8	13	Folding plate screw	曲げ板止めネジ	6
9	328	" " " " retainer	" " 止め金	2
10	405	" " " " (right)	" " 右	1
11	327	Drum	ドラム	2
12	24	" " " " screw	" " 止めネジ	4
13	402	Heating element case (right)	ヒーターケース右	1
14	630	Press heating element	プレスヒーター	2
15	12	Heating element case bottom plate screw	ヒーターケース底板止めネジ	4
16	403	" " " " " " plate	" " 底板	2
17	806	Moving base asbestos	移動台断熱石綿	4
18	322	" " " " (right)	" " 右	1
19	324	Presser frame (right)	押え枠右	1
20	320	" " " " support base (right)	" " 支持台右	1
21	14	" " " " " " " " screw	" " " 止めネジ	2
22	457	" " " " " " " " spring	" " 板バネ	2
23	20	" " " " " " " " screw	" " " 止めネジ	2
24	318	" " " " " " " " inside metal (right)	" " 内金右	1
25	46	" " " " " " " " screw	" " " 止めネジ	8
26	326	" " " " " " " " plate (right)	押え板右	1
27	456	" " " " " " " " frame lift plate (right)	押え枠揚げ板右	1
28	19	" " " " " " " " " " screw	" " " 止めネジ	2
29	330	Folding plate shaft (right)	曲げ板軸右	1
30	210	Woven label support base bracket	ネーム支持上台	1
31	23	" " " " " " " " " " screw	" " " 止めネジ	1
32	209	" " " " " " " " " " base	ネーム支持台	1
33	14	" " " " " " " " " " screw	" " " 止めネジ	2
34	454	Rail	レール	2
35	30	" " " " " " " " " " screw	" " 止めネジ	6
36	117	Moving base turnbuckle screw	移動台 ターンバックルネジ	1
37	401	Heating element case (left)	ヒーターケース左	1
38	321	Moving base (left)	移動台左	1
39	323	Presser frame (left)	押え枠左	1
40	319	" " " " " " " " " " support base (left)	" " 支持台左	1
41	14	" " " " " " " " " " screw	" " " 止めネジ	2
42	317	" " " " " " " " " " inside metal (left)	" " 内金左	1
43	329	Folding plate shaft (left)	曲げ板軸左	1
44	325	Presser plate (left)	押え板左	1
45	404	Folding plate (left)	曲げ板左	1
46	460	Upper knife	上メス	1
47	118	" " " " " " " " " " hinge screw	" " 芯ネジ	1
48	459	" " " " " " " " " " holder	" " 台	1
49	605	" " " " " " " " " " spring	" " 寄せバネ	1
50	44	" " " " " " " " " " screw nut	" " 芯ネジナット	2
51	462	" " " " " " " " " " spring pulling metal plate	" " バネ引金	1
52	461	Lower knife	下メス	1
53	18	" " " " " " " " " " clamp screw	" " 止めネジ	2
54	451	" " " " " " " " " " retainer	" " 止め当金	1
55	452	" " " " " " " " " " holder	" " 台	1
56	14	" " " " " " " " " " screw	" " 止めネジ	2
57	805	Cloth guide base asbestos	定規台断熱石綿	1
58	203	" " " " " " " " " " base	定規台	1
59	14	" " " " " " " " " " screw	" " 止めネジ	2
60	208	" " " " " " " " " " guide	定規	1
61	36	" " " " " " " " " " screw	" " 止めネジ	1
62	601	Upper knife pulling spring	上メス引きバネ	1



## PARTS FOR ELECTRICAL DEVICE

## 電 気 装 置 関 係

<u>Ref. No.</u> 参照番号	<u>Parts No.</u> 部品番号	<u>Name</u>	<u>名 称</u>	<u>Qt.</u> 個数
1	644	Cord	コード	1
2	808	Center switch	中間スイッチ	1
3	641	Plug	プラグ	1
4	602	Cord protective spring	コード保護バネ	1
5	809	Pilot lamp cover	表示灯カバー	1
6	810	" lamp	♪ ランプ球	1
7	811	" " receptacle	表示ランプソケット	1
8	812	" " " nut	♪ ナット	1
9	813	" " " washer	♪ ワッシャー	1
10	643	Insulator	碍子	1
11	818	" screw	♪ 取付けネジ	1
12	52	" washer	♪ 取付けワッシャー	1
13	43	" nut	♪ 止めナット	1
14	804	" plate	♪ 金具(コード押エファイバー)	1
15	809	Terminal	ターミナル	1
16	818	" screw	♪ 取付けネジ	2
17	803	Thermostat inside metal fittings	サーモスタット振止め	1
18	634	" knob	♪ ツマミ	1
19	636	" " screw	♪ 止めネジ	1
20	818	" screw	♪ 止めネジ	1
21	647	Asbestos	石棉	1
22	801	Thermostat heating element frame	サーモスタットカバー	1
23	14	" " " " screw	♪ 取付けネジ	2
24	631	" " element	♪ ヒーター	1
25	633	Thermostat	サーモスタット	1
26	642	" insulated fiber	♪ 絶縁ファイバー	1
27	643-1	Fuse	ヒューズ	1



**PARTS FOR MODEL ENC-12 ONLY**

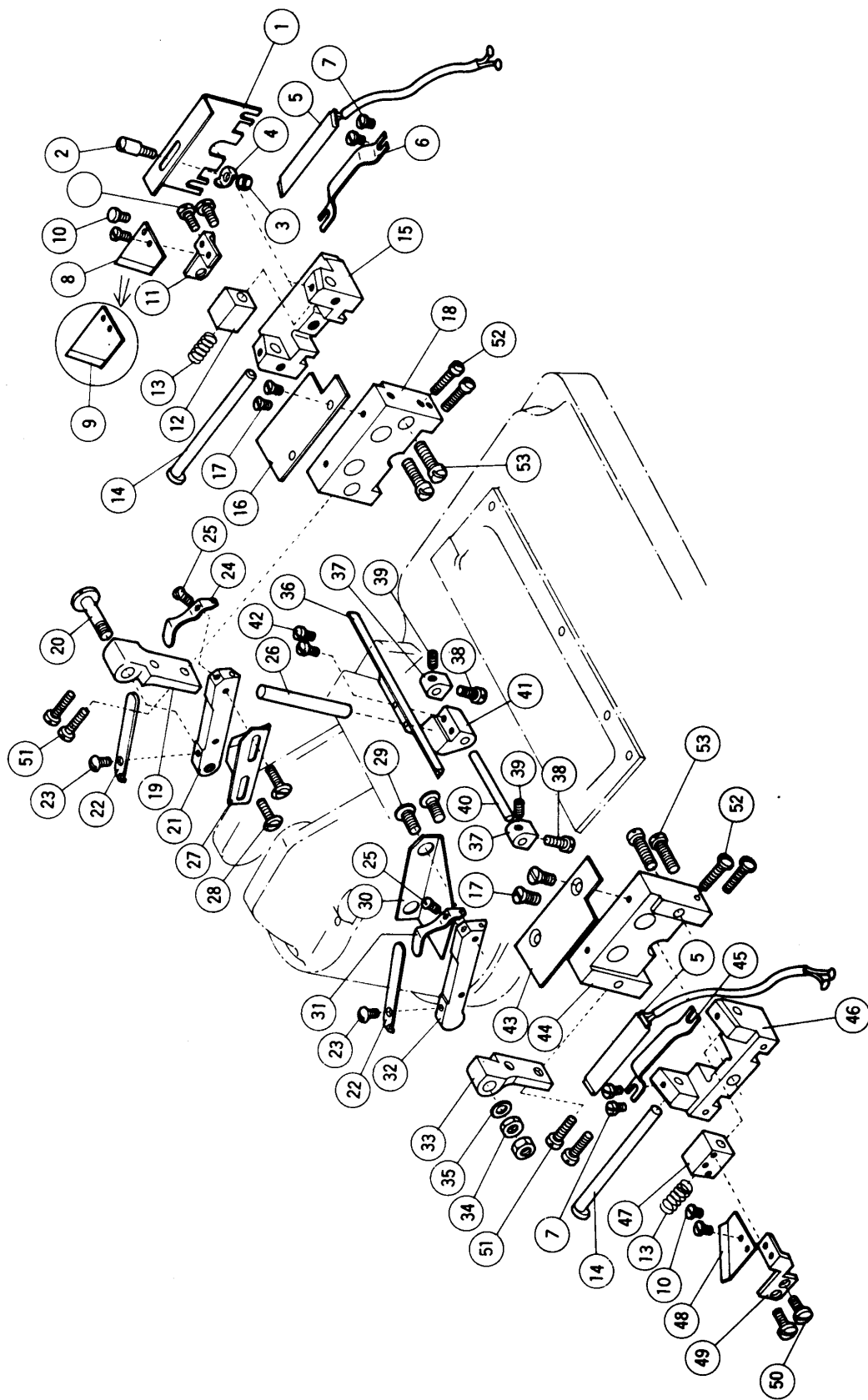
**ENC-12型専用部品**

<u>Ref. No.</u> 参照番号	<u>Parts No.</u> 部品番号	<u>Name</u>	<u>名 称</u>	<u>Qt.</u> 個数
1	1204	Machine cover (right)	横カバー	1
2	3706	" " " screw	◇ 止めネジ	2
3	1203	Presser frame	押え枠	1
4	1202	" " " hinge screw	◇ 支持ピン	1
5	3816	" " support bracket (left)	◇ ◇ 台左	1
6	3707	" " (left) hinge screw washer	◇ ◇ ピンワッシャー	1
7	3920	" " " " " nut	◇ ◇ ピンナット	2
8	1201	" plate (left)	押え板左	1
9	1406	" " " screw	◇ 止めネジ	2
10	1402	frame holder base (left)	押エ枠受台	1
11	3803	Moving base (left)	移動台左	1
12	1405	Presser frame support bracket screw (A)	押エ枠支持台止ネジ (A)	2
13	14	" " " " " (B)	" " " (B)	2
14	3927	Cloth guide screw	定規止めネジ	1
15	3710	" " " washer	◇ ワッシャー	1
16	3928	nut	◇ ナット	1

**PARTS FOR MODEL ENC-14 ONLY**

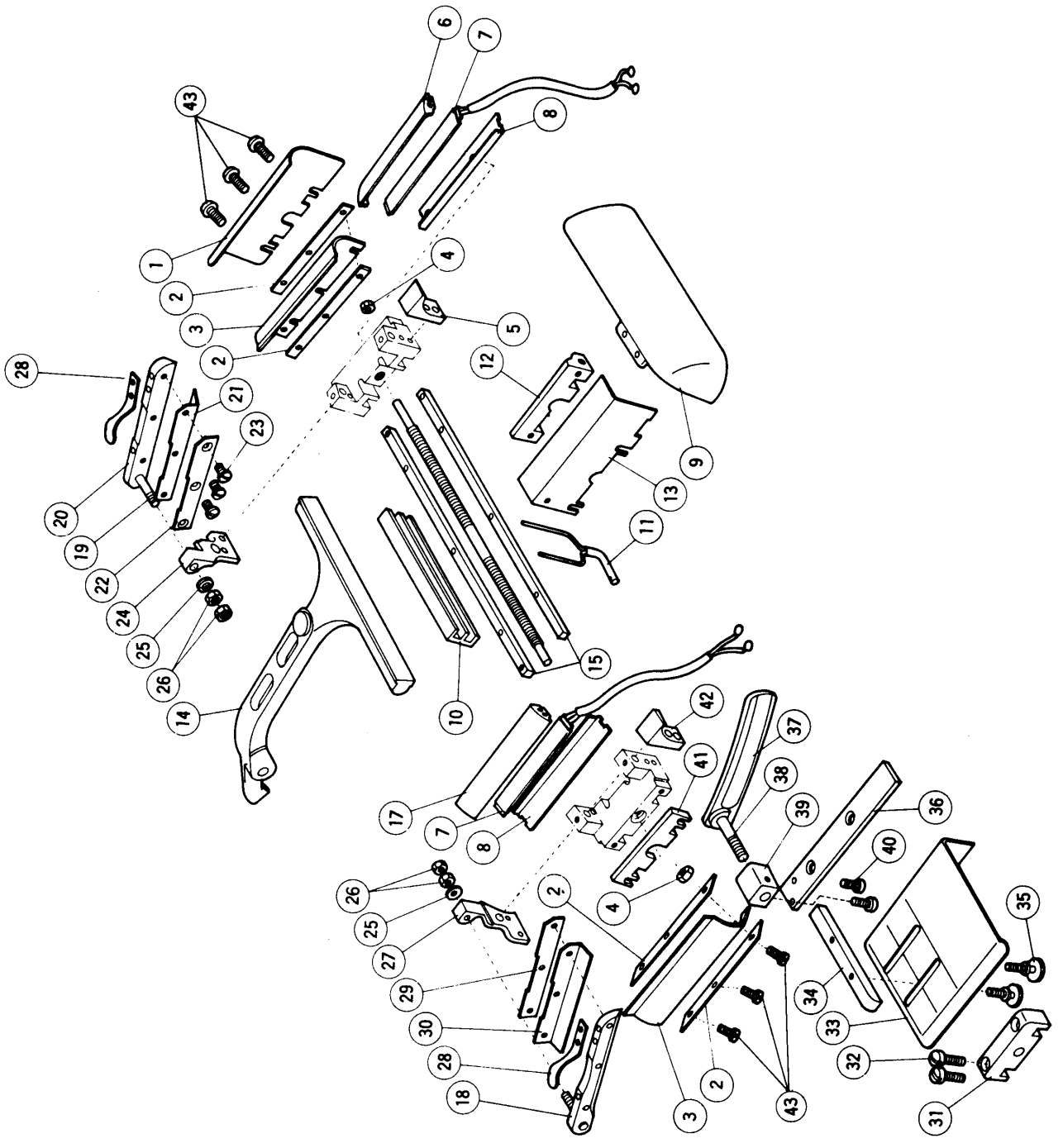
**ENC-14型専用部品**

17	3817	Presser frame support bracket (right)	押え枠支持台右	1
18	1402	" " bracket	" 受台	1
19	1403	Presser frame	押え枠	1
20	1202	" " " hinge screw	◇ 支持ピン	1
21	1404	" plate (right)	押え板右	1
22	3713	" " screw	◇ 止めネジ	2
23	1407	Front cover spring	前カバー板バネ	1
24	1202	Lower knife holder bracket	下メス台受土台	1



**PARTS FOR MODEL ENC-13 ONLY**  
**ENC-13型専用部品**

Ref. No. 参照番号	Parts No. 部品番号	Name	名称	Qt. 個数
1	4005	Cloth guide	定規	1
2	3927	" " screw	〃 止めネジ (定規上セットネジ)	1
3	3929	" " " nut	〃 〃 ナット	1
4	3928	" " " washer	〃 〃 ワッシャー	1
5	630	Press heating element	ヒーター (ヒーター)	2
6	3902	Heating element support spring (right)	〃 支持バネ右	1
7	12	" " " " " screw	〃 〃 止めネジ	4
8	3813	Folding plate (right)	曲げ板右	1
9	3814	" " " (large)	〃 右大	1
10	20	" " " screw	〃 止めネジ	4
11	3811	" " bracket (right)	〃 取付台右	1
12	3809	Block (right)	角台右	1
13	3903	Folding plate push-back spring	曲げ板戻しバネ	2
14	3815	" " shaft	引き棒	2
15	3805	Moving base (right)	移動台右	1
16	3807	Heating element base cover plate (right)	ヒーター上板右	1
17	3914	" " " " " screw	〃 上板左右ネジ	4
18	3802	" " base	〃 下台右	1
19	3817	Presser frame support bracket (right)	押え棒支持台右	1
20	3919	" " hinge screw	〃 ビン	2
21	3819	" " (right)	〃 右	1
22	457	" " spring	〃 板バネ	2
23	20	" " " screw	〃 〃 止めネジ	2
24	3827	" " lifting plate (right)	〃 揚げ板右	1
25	19	" " " " " screw	〃 〃 止めネジ	2
26	3926	Lift frame guide pin	昇降枠案内ピン大	1
27	3821	Presser plate (right)	押え板右	1
28	3918	" " screw (right)	〃 止めネジ右	2
29	46	" " " (left)	〃 〃 左	2
30	3820	" " (left)	〃 左	1
31	3826	" frame lifting plate (left)	押え棒揚げ板左	1
32	3818	" " (left)	〃 左	1
33	3816	" " support bracket (left)	〃 支持台左	1
34	44	" " hinge screw nut	〃 〃 ピンロックナット	4
35	3921	" " " " thrust washer	〃 〃 スラストワッシャー	2
36	3822	L-shaped lever	L型レバー	1
37	3823	Block (small)	小メタル	2
38	3923	" " screw	〃 取付ネジ	2
39	3925	L-shaped lever bracket guide pin screw	L型レバー取付台案内ピン止めネジ	2
40	3825	" " " " " pin	〃 〃	1
41	3824	" " bracket	〃	1
42	3924	" " " screw	〃 〃 止めネジ	2
43	3806	Heating element base cover plate (left)	ヒーター上板左	1
44	3801	" " " (left)	〃 下台左	1
45	3901	" support spring (left)	〃 支持バネ左	1
46	3803	Moving base (left)	移動台左	1
47	3808	Block (left)	角台左	1
48	3812	Folding plate (left)	曲げ板左	1
49	3810	" " bracket (left)	〃 取付台左	1
50	20	" " " screw	〃 〃 ネジ	4
51	4017		押え棒支持台止めネジ	4
52	21	Top cover screw	上カバー止めネジ	3
53	4017	Heating element base set screw	ヒーター下台取付セットネジ	4





**PARTS FOR MODEL ENC-110 ONLY**  
**ENC-110型専用部品**

Ref. No. 参照番号	Parts No. 部品番号	Name	名称	Qt. 個数
1	4004	Machine cover (right)	横カバー	1
2	4048	Folding plate retainer	曲げ板止め金大	2
3	4047	" " (right)	〃 右	1
4	4049	" " nut	〃 止めナット	2
5	4045	Moving base arch (right)	移動台アーチ右	1
6	4053	Heating element case (right)	ヒーターケース右	1
7	4054	" element	ヒーター	2
8	4051	" " case bottom plate	〃 ケース底板	2
9	4003	Front cover	前カバー	1
10	4012	Lift frame	昇降枠	1
11	4008	Woven label support base	ネーム支持台	1
12	4007	" " " " bracket	〃 土台	1
13	4019	Ejecting fork	飛出しピン	1
14	4011	Presser arm	押え枠アーム	1
15	4015	Rail	レール	2
16	4018	Moving base turnbuckle screw	移動台ターンバックルネジ	1
17	4052	Heating element case (left)	ヒーターケース左	1
18	4034	Presser frame (left)	押え枠左	1
19	4035	" " (right)	〃 右	1
20	4038	" " hinge screw	〃 支持ピン	1
21	4033	" plate (right)	押え板右	1
22	4037	" " cover plate (right)	押え枠当金右	1
23	11	" " screw	押え板止めネジ	3
23	4031	" frame support base (right)	押え枠支持台右	1
25	4039	" " hinge screw collar	〃 ピンカラー	1
26	44	" " " " nut	〃 ロックナット	4
27	4030	" " support base (left)	〃 支持台左	1
28	4041	" " lifting plate	〃 揚げ板	2
29	4036	" plate cover plate (left)	〃 当金左	1
30	4033	" plate (left)	押え板左	1
31	4016	Moving base turnbuckle bracket	移動台ターンバックルブラケット	2
32	4017	" " " " screw	〃 〃 〃 止めネジ	4
33	4006	Cloth guide base	定規台	1
33	4005	" guide	定規	1
35	4056	" " screw	〃 止めネジ	2
36	4022	Lower knife	下メス	1
37	4021	Upper knife	上メス	1
38	4024	" " hinge screw	〃 芯ネジ	1
39	4023	" " holder	〃 台	1
40	4025	" " clamp screw	〃 止めネジ	2
41	4010	Folding width gauge	折り目巾ゲージ	1
42	4044	Moving base arch (left)	移動台アーチ左	1
43	13	Folding plate screw	曲げ板止めネジ	6
44	4046	" plate (left)	〃 (左)	1

# NUMERICAL INDEX OF PARTS

## 部 品 番 号 索 引

Parts No. Page Ref. No.			Parts No. Page Ref. No.			Parts No. Page Ref. No.			Parts No. Page Ref. No.			Parts No. Page Ref. No.		
部品番号	頁	参照番号	部品番号	頁	参照番号	部品番号	頁	参照番号	部品番号	頁	参照番号	部品番号	頁	参照番号
11	3	17	114	5	9	631	9	24	3807	13	16	4024	15	38
11	15	23	115	3	13	633	9	25	3808	13	47	4025	15	40
12	7	15	116	5	16	634	9	18	3809	13	12	4030	15	27
12	13	7	117	7	36	636	9	19	3810	13	49	4031	15	23
13	7	8	118	7	47	641	9	3	3811	13	11	4033	15	21
13	15	43	119	3	2	642	9	26	3812	13	48	4033	15	30
14	7	7	121	3	4	643	9	10	3813	13	8	4034	15	18
14	7	21	122	3	5	644	9	1	3814	13	9	4035	15	19
14	7	33	200	3	1	647	9	21	3815	13	14	4036	15	29
14	7	41	201	3	16	720	5	1	3816	11	5	4037	15	22
14	7	56	202	3	9	721	5	5	3816	13	33	4038	15	20
14	7	59	203	7	58	722	5	22	3817	11	17	4039	15	25
14	9	23	204	3	6	723	3	12	3817	13	19	4041	15	28
14	11	13	205	7	6	724	5	6	3818	13	32	4044	15	42
17	7	4	206	3	3	725	5	21	3819	13	21	4045	15	5
18	7	53	207	3	11	726	5	36	3820	13	30	4046	15	44
19	7	28	208	7	60	727	5	33	3821	13	27	4047	15	3
19	13	25	209	7	32	728	5	29	3822	13	36	4048	15	2
20	3	8	210	7	30	730	5	35	3823	13	37	4049	15	4
20	7	23	317	7	42	731	5	24	3824	13	41	4051	15	8
20	13	10	318	7	24	789	3	15	3825	13	40	4052	15	17
20	13	23	319	7	40	801	9	22	3826	13	31	4053	15	6
20	13	15	320	7	20	802	3	18	3827	13	24	4054	15	7
21	3	10	321	7	38	803	9	17	3901	13	45	4056	15	35
21	13	52	322	7	18	804	9	14	3902	13	6			
23	5	34	323	7	39	805	7	57	3903	13	13			
23	5	37	324	7	19	806	7	17	3914	13	17			
23	7	31	325	7	44	808	9	2	3918	13	28			
24	5	19	326	7	26	809	9	5	3919	13	20			
24	7	2	327	7	11	809	9	15	3920	11	7			
24	7	12	328	7	9	810	9	6	3921	13	35			
25	5	20	329	7	43	811	9	7	3923	13	38			
26	5	23	330	7	29	812	9	8	3924	13	42			
27	5	7	401	7	37	813	9	9	3925	13	39			
28	5	10	402	7	13	818	9	11	3926	11	26			
29	5	3	403	7	16	818	9	16	3927	13	14			
29	5	26	404	7	45	818	9	20	3927	11	2			
30	7	35	405	7	10	1201	11	8	3928	13	16			
35	5	32	451	7	54	1202	11	4	3928	13	4			
36	7	61	452	7	55	1202	11	20	3929	15	3			
40	5	4	453	7	3	1202	11	24	4003	15	9			
40	5	8	454	7	34	1203	11	3	4004	13	1			
40	5	27	455	7	1	1204	11	1	4005	15	1			
41	5	14	456	7	27	1402	11	10	4005	15	34			
42	5	11	457	7	22	1402	11	18	4006	15	33			
43	9	13	457	13	22	1403	11	19	4007	15	12			
44	7	50	458	5	17	1404	11	21	4008	15	11			
44	13	34	459	7	48	1405	11	12	4010	15	41			
44	15	26	460	7	46	1406	11	9	4011	15	14			
46	7	25	461	7	52	1407	11	23	4012	15	10			
46	13	29	462	7	51	3706	11	2	4015	15	15			
50	5	12	600	5	18	3707	11	6	4016	15	31			
50	5	15	601	7	62	3710	11	15	4017	13	51			
52	5	28	602	9	4	3713	11	22	4017	13	53			
52	9	12	603	5	31	3801	13	44	4017	15	32			
53	7	5	604	5	25	3802	13	18	4018	15	16			
60	5	30	605	7	49	3803	11	11	4019	15	13			
112	3	14	606	3	7	3803	13	46	4021	15	37			
113	5	2	630	7	14	3805	13	15	4022	15	36			
113	5	13	630	13	5	3806	13	43	4023	15	39			



■ PEGASUS  
SEWING MACHINE MFG.  
CO., LTD.®

