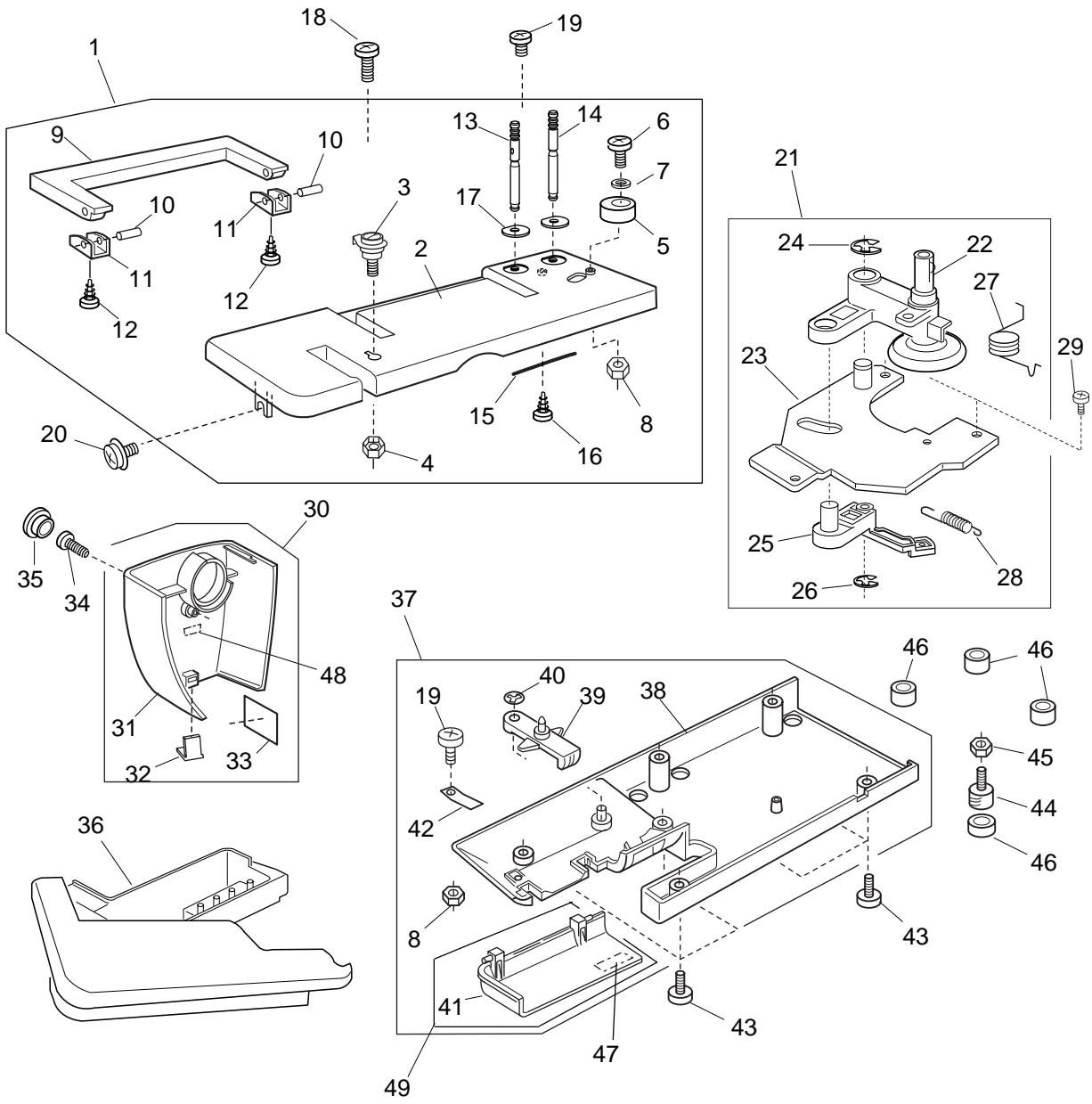


PARTS LIST

MODEL (423S, 419S)

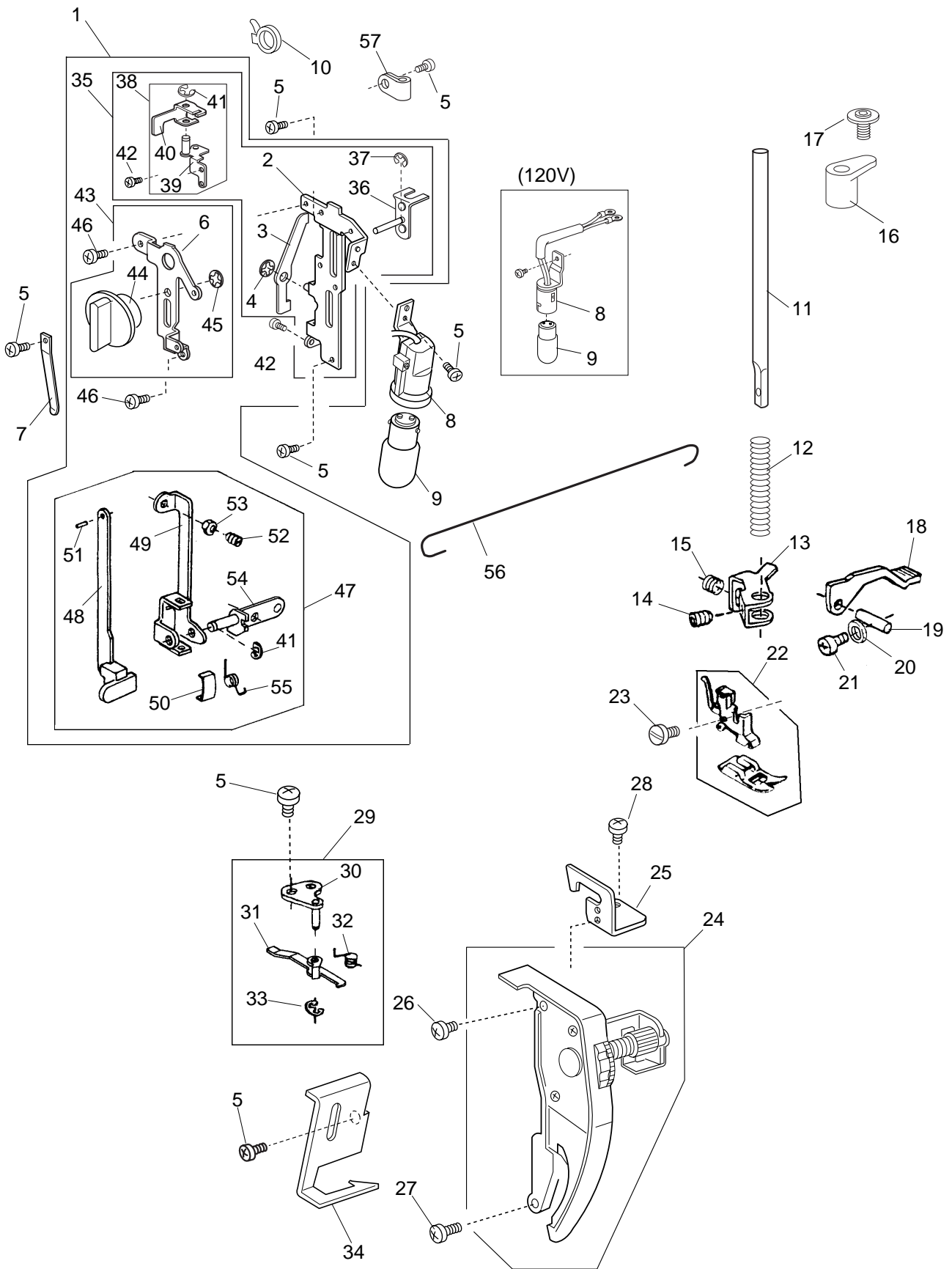
PARTS LIST



PARTS LIST

KEY NO.	PART NO.	DESCRIPTION
1	303602006	TOP COVER UNIT
2	303009007	TOP COVER
3	730501011	THREAD GUIDE PLATE UNIT
4	000160102	ADJUSTABLE NUT 4
5	735016307	BOBBIN WINDER STOPPER
6	000101828	SETSCREW 4X16
7	000071013	PLAIN WASHER
8	000061205	NUT
9	303010001	CARRYING HANDLE
10	730015002	HANDLE FIXING PLATE PIN
11	730016003	HANDLE FIXING PLATE
12	000107204	TAPPING SCREW 3X12B
13	652302004	SPOOL PIN
14	652205006	SPOOL PIN
15	736007009	SPOOL PIN SPRING
16	000076317	SETSCREW 3X10
17	735013005	CUSHION
18	000104108	SETSCREW 4X20
19	000101404	SETSCREW 4X6
20	000115205	TP SCREW 4X6
21	303603007	BOBBIN WINDER UNIT
22	303502005	BOBBIN WINDER ARM UNIT
23	303012003	BOBBIN WINDER PLATE
24	000002806	SNAP RING E-6
25	303013004	CRUCH ARM
26	000002105	SNAP RING E-3
27	303014005	BOBBIN WINDER SPRING (1)
28	303015006	BOBBIN WINDER SPRING (2)
29	000081005	SETSCREW 4X8
30	303624004	FACE PLATE UNIT (U.K. & CANADA)
	303624107	FACE PLATE UNIT (U.S.A., AUSTRALIA & CONTINENTAL EUROPE)
31	303063102	FACE PLATE
32	840602006	THREAD CUTTER UNIT
33	366076000	STICKER
34	000093309	SETSCREW 4X14
35	653006101	CAP
36	303501004	EXTENSION TABLE UNIT
37	303601005	BASE COVER UNIT (AUSTRALIA, U.K. & CONTINENTAL EUROPE)
	303601108	BASE COVER UNIT (U.S.A.)
	303601201	BASE COVER UNIT (CANADA)
38	303003001	BASE
39	738060006	DROP LEVER
40	000013903	SNAP RING CS-5
41	303005003	BED LID
42	730006000	LID SPRING
43	000081005	SETSCREW 4X8
44	647010006	LEVEL ADJUSTING SCREW
45	000061319	NUT
46	647009002	BED RUBBER BASE
47	830312016	CAUTION STICKER (U.S.A.)
	100045000	CAUTION STICKER (CANADA)
48	100411104	LAMP STICKER (U.S.A. & AUSTRALIA)
49	303618005	BED LID UNIT (U.S.A.)
	303618108	BED LID UNIT (CANADA)

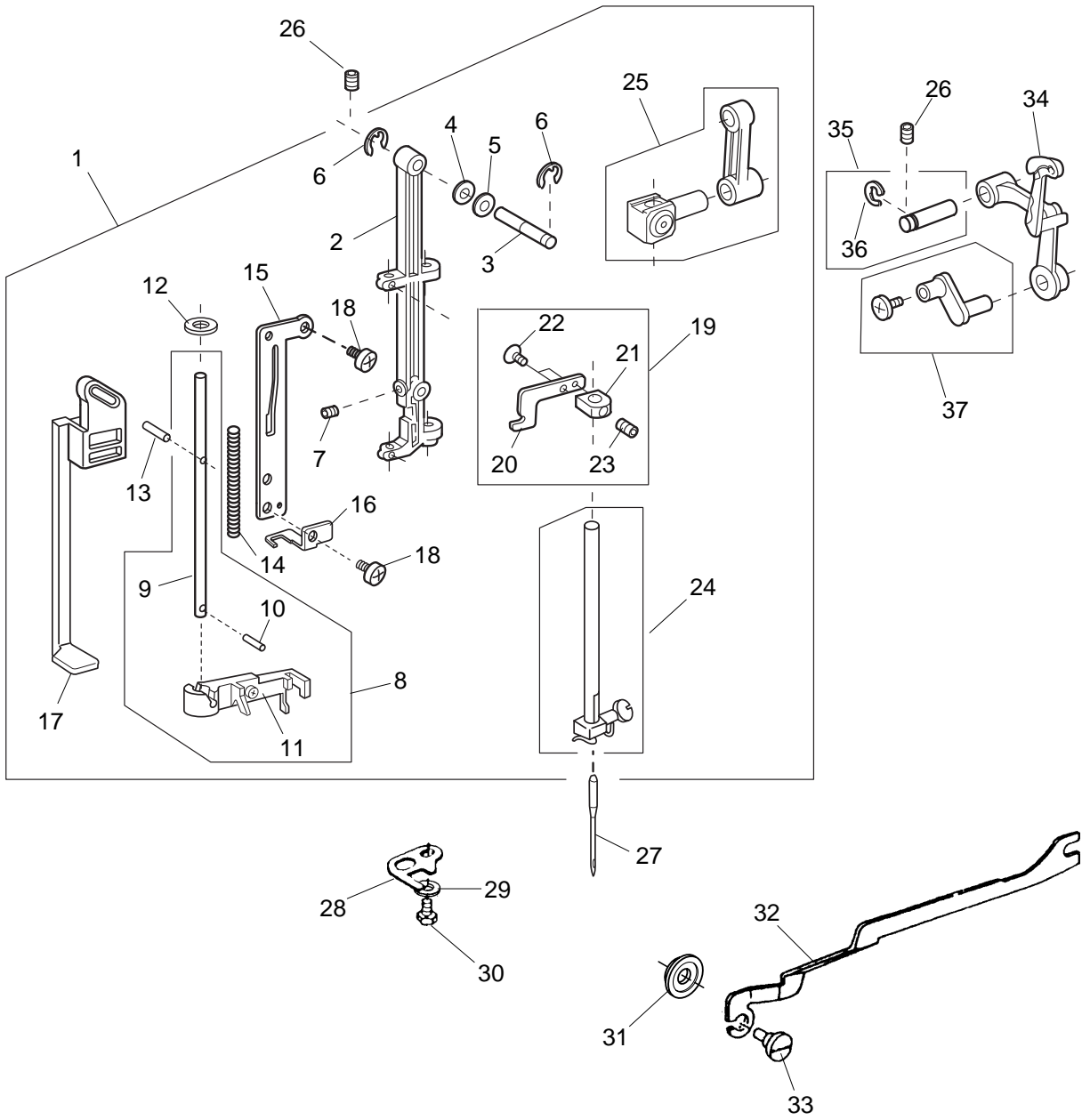
PARTS LIST



PARTS LIST

KEY NO.	PARTS NO.	DESCRIPTION
1	303626006	FRONT BRACKET UNIT (AUSTRALIA, U.K. & CONTINENTAL EUROPE)
	303627007	FRONT BRACKET UNIT (U.S.A. & CANADA)
2	303018010	FRONT BRACKET (AUSTRALIA, U.K. & CONTINENTAL EUROPE))
	303068015	FRONT BRACKET (U.S.A. & CANADA)
3	303019000	TENSION RELEASE LEVER
4	000013903	SNAP RING CS-4
5	000101404	SETSCREW 4X6
6	303021108	FACE PLATE BASE PLATE
7	730024004	NEEDLE BAR SUPPORTER SPRING
8	740618208	LAMP SOCKET UNIT (AUSTRALIA, U.K. & CONTINENTAL EUROPE))
	647510609	LAMP SOCKET UNIT (U.S.A.)
	647513048	LAMP SOCKET UNIT (CANADA)
9	000009009	LAMP BULB 240V (AUSTRALIA, U.K. & CONTINENTAL EUROPE))
	000009803	LAMP BULB 120V (U.S.A. & CANADA)
10	000053008	NYLON BELT
11	826006000	PRESSER BAR
12	303067003	PRESSER BAR SPRING
13	822069009	PRESSER BAR BRACKET
14	000111500	HEXAGONAL SOCKET SCREW 4X8
15	102222009	PRESSER REGULATOR SPRING
16	652104004	PRESSER BAR BUSHING
17	000193001	SETSCREW 4X6
18	822071004	PRESSER FOOT LIFTER
19	822072005	PRESSER FOOT LIFTER PIN
20	000072302	WASHER
21	000103509	SETSCREW 4X10
22	611520003	FOOT HOLDER UNIT
23	763048006	THUMB SCREW
24	303503006	TENSION REGULATOR UNIT
25	739016000	TOP COVER THREAD GUIDE
26	000103808	SETSCREW 3X5
27	000101703	SETSCREW 4X12
28	000081005	SETSCREW 4X8
29	303620000	TENSION RELEASE ARM UNIT
30	739017001	TENSION RELEASE ARM BASE
31	739018002	TENSION RELEASE ARM
32	303070009	TENSION RELEASE SPRING
33	000002105	SNAP RING E-3
34	303008006	ARM THREAD GUIDE
35	303621001	FRONT BRACKET UNIT (AUSTRALIA, U.K. & CONTINENTAL EUROPE))
	303622002	FRONT BRACKET UNIT (U.S.A. & CANADA)
36	303062008	PRESSER ADJUSTING PLATE
37	000002507	SNAP RING E-4
38	303628008	BH LEVER BASE UNIT
39	303084006	BH LEVER BASE
40	722009008	BH ADJUSTING LEVER
41	000002105	SNAP RING E-3
42	000103808	SETSCREW 3X5
43	303623003	PRESSER DIAL UNIT
44	501010001	PRESSER DIAL
45	000014007	SNAP RING CS-4
46	000101404	SETSCREW 4X6
47	740617001	BH LEVER UNIT
48	753629109	BH LEVER UNIT
49	740047004	BH LEVER SUPPORTER
50	753027008	FRICTION SPRING
51	000023009	SPRING PIN
52	000113306	SCREW 4X10
53	000160102	ADJUSTING LOCK NUT 4
54	740048005	BH LEVER BASE
55	740049006	BH LEVER SPRING
56	740052002	BH STEP UP ROD
57	000188405	NYLON CRIP

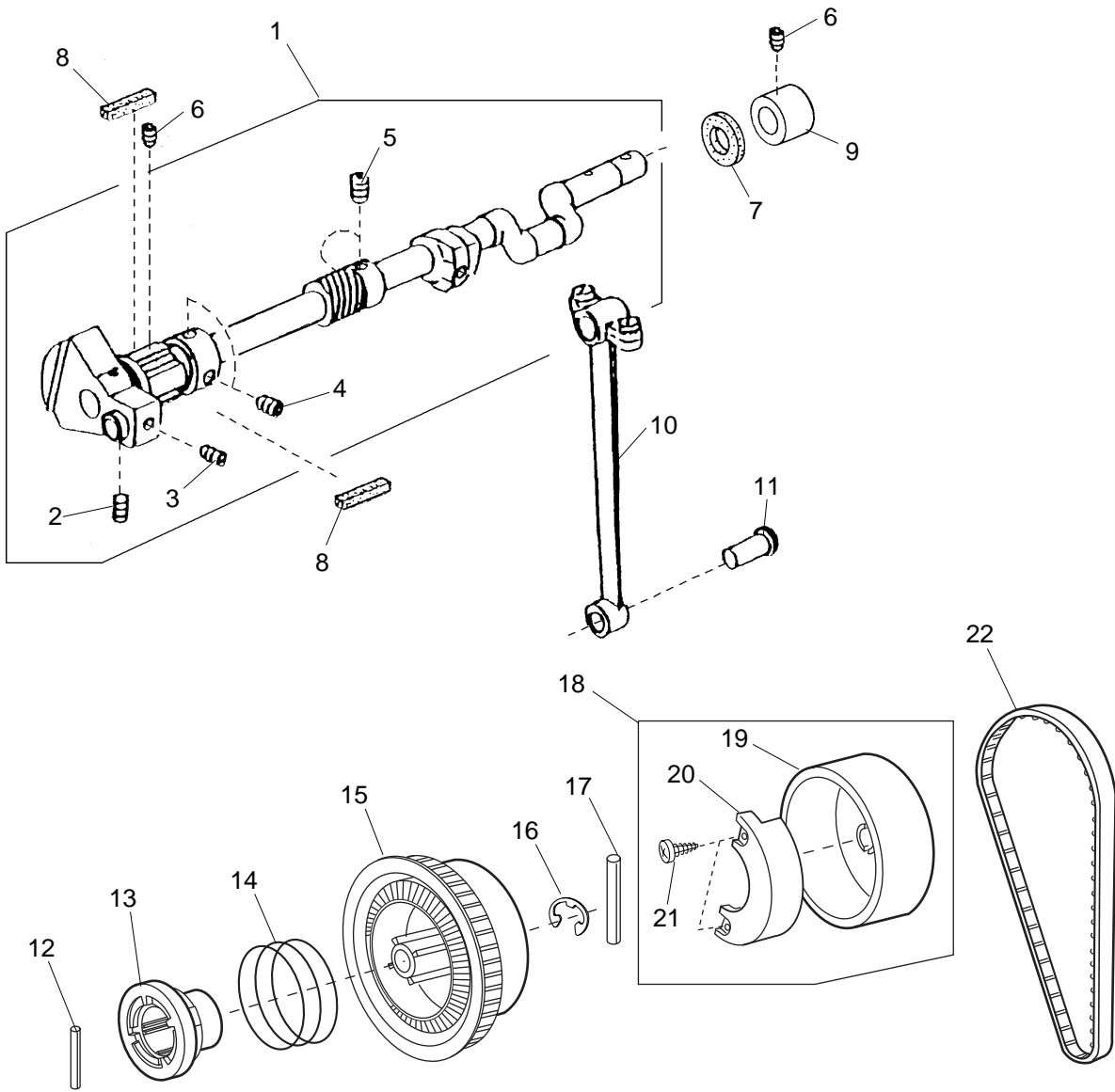
PARTS LIST



PARTS LIST

KEY NO.	PARTS NO.	DESCRIPTION
1	303604008	NEEDLE BAR SUPPORTER UNIT
2	303020107	NEEDLE BAR SUPPORTER
3	730022002	NEEDLE BAR SUPPORTER PIN
4	673022002	SPRING WASHER
5	000070609	PLAIN WASHER 6
6	000002507	SNAP RING E-4
7	000111902	HEXAGONAL SOCKET SCREW 3X4
8	303605009	NEEDLE THREADER SHAFT UNIT
9	303016007	NEEDLE THREADER SHAFT
10	000003508	SPRING PIN
11	755643002	NEEDLE THREADER PLATE
12	734107004	WASHER
13	000125105	GROOVED PIN
14	840035002	NEEDLE THREADER SPRING
15	303064000	NEEDLE THREADER GUIDE PLATE
16	840037004	NEEDLE THREADER LEVER SUPP.
17	840034001	NEEDLE THREADER LEVER
18	000078319	SETSCREW 3X6
19	734625003	NEEDLE THREADER REGULATOR UNIT
20	734101008	NEEDLE THREADER REGULATOR
21	734102009	NEEDLE THREADER BASE PLATE
22	000097602	SETSCREW 2X4
23	000111902	HEXAGONAL SOCKET SCREW 3X4
24	730503116	NEEDLE BAR UNIT
25	680504005	NEEDLE BAR CONNECTING STUD UNIT
26	000111304	HEXAGONAL SOCKET SCREW 5X5
27	102408089	NEEDLE HA1-14
28	680036001	STOPPER
29	000070506	WASHER
30	000066303	BOLT
31	748021006	ZIGZAG ROD WASHER
32	722033001	ZIGZAG ROD
33	678084007	ECCENTRIC PIN
34	625506109	THREAD TAKE-UP LEVER UNIT
35	731511006	THREAD TAKE-UP LEVER PIN
36	000002806	SNAP RING E-6
37	730509008	NEEDLE BAR CRANK PIN UNIT

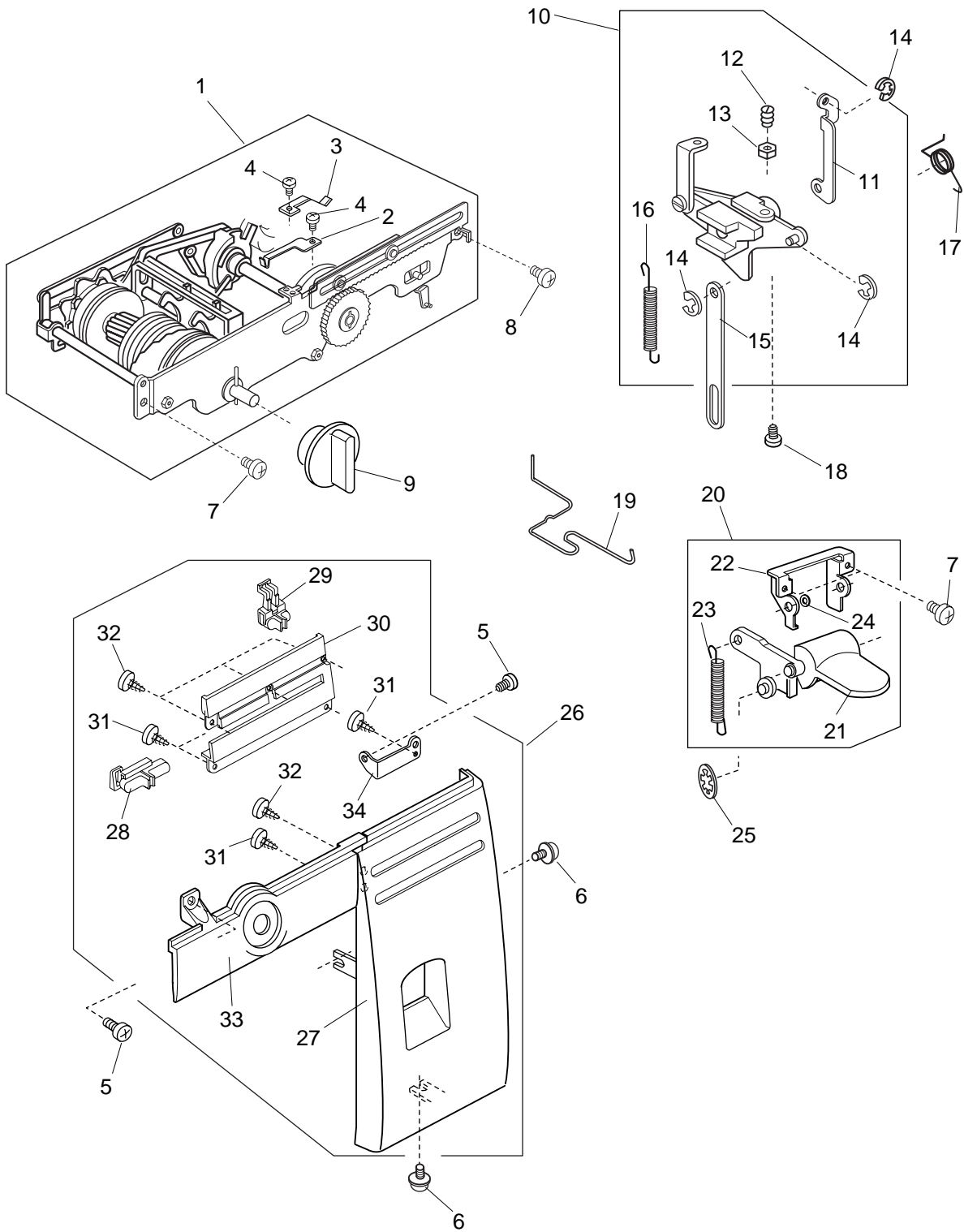
PARTS LIST



PARTS LIST

KEY	PARTS	
NO.	NO.	DESCRIPTION
1	303608002	UPPER SHAFT (UNIT)
2	102073003	SCREW
3	102063000	SCREW
4	000111304	HEXAGONAL SOCKET SCREW 5X5
5	553245008	HEXAGONAL SOCKET SCREW
6	000111108	HEXAGON SOCKET SCREW 4X6
7	743029009	FELT
8	731312005	FELT
9	732003003	UPPER SHAFT REAR BUSHING
10	738634007	CRANK ROD UNIT
11	735064001	CRANK ROD PIN
12	000024206	SPRING PIN 3X30
13	502064003	CLUTCH RING
14	502065004	CLUTCH SPRING
15	303025009	BELT WHEEL
16	000030205	SNAP RING E-8
17	000023803	SPRING PIN 4X40
18	303609003	HANDWHEEL UNIT
19	303026000	HANDWHEEL
20	303027001	BALANCE WEIGHT
21	000161206	TAPPING SCREW 3X10B
22	738046006	TIMING BELT

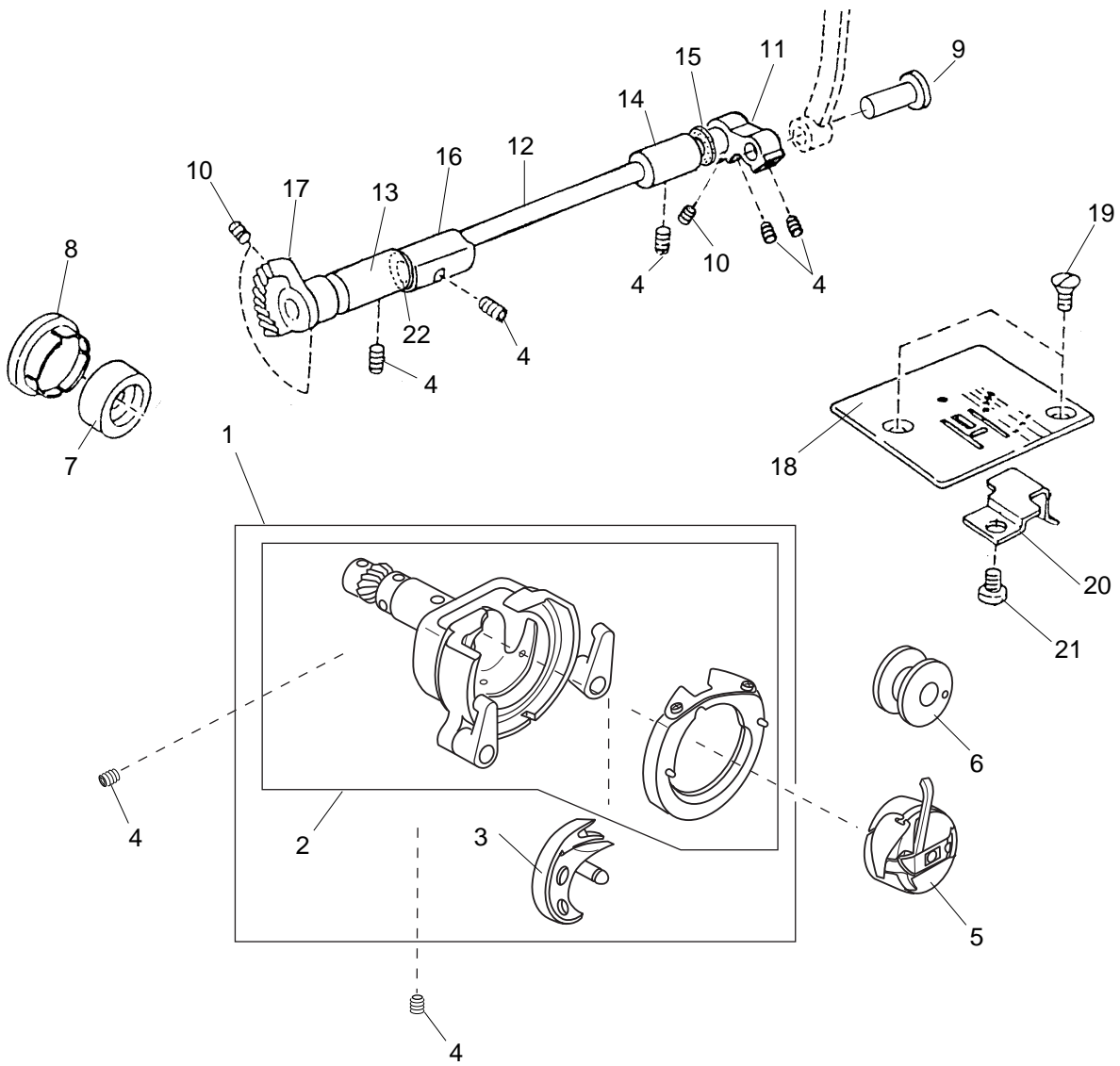
PARTS LIST



PARTS LIST

KEY NO.	PARTS NO.	DESCRIPTION
1	303625005	ZIGZAG MECHANISM UNIT
	303625108	ZIGZAG MECHANISM UNIT (MODEL 419S)
2	303028002	INDEX SPRING
3	303051004	INDEX SPRING
4	000078319	SETSCREW 3X6
5	000101404	SETSCREW 4X6
6	000115205	TP SCREW 4X6
7	000081005	SETSCREW 4X8
8	810220003	SETSCREW
9	303052005	PATTERN SELECTOR DIAL
10	303610100	FEED REGULATOR UNIT
11	303029003	FEED REGULATOR ROD
12	648010009	SETSCREW
13	000160102	ADJUSTABLE NUT
14	000002105	SNAP RING E-3
15	731034000	REVERSE LEVER ROD
16	303085007	FEED REGULATOR SPRING
17	735077007	FEED REGULATOR BODY SPRING
18	000101301	SETSCREW 5X10
19	730041007	SPRING SUSTAINER
20	303611008	REVERSE LEVER UNIT
21	303030007	REVERSE LEVER
22	303031008	REVERSE LEVER SUPPORTER
23	731033009	REVERSE LEVER SPRING
24	000111608	SPRING WASHER
25	000013903	SNAP RING CS-5
26	303614012	FRONT COVER UNIT
	303614023	FRONT COVER UNIT (MODEL 419S)
27	303053110	FRONT COVER
	303053121	FRONT COVER (MODEL 419S)
28	303054007	WIDTH SLIDE BUTTON
29	303055008	FEED SLIDE BUTTON
30	303056009	SLIDE BUTTON PLATE
31	000120203	TAPPING SCREW 3X8
32	000161103	TAPPING SCREW 3X6
33	303057114	FRONT PANEL FRAME
	303057125	FRONT PANEL FRAME (MODEL 419S)
34	303058001	FRONT COVER SET PLATE

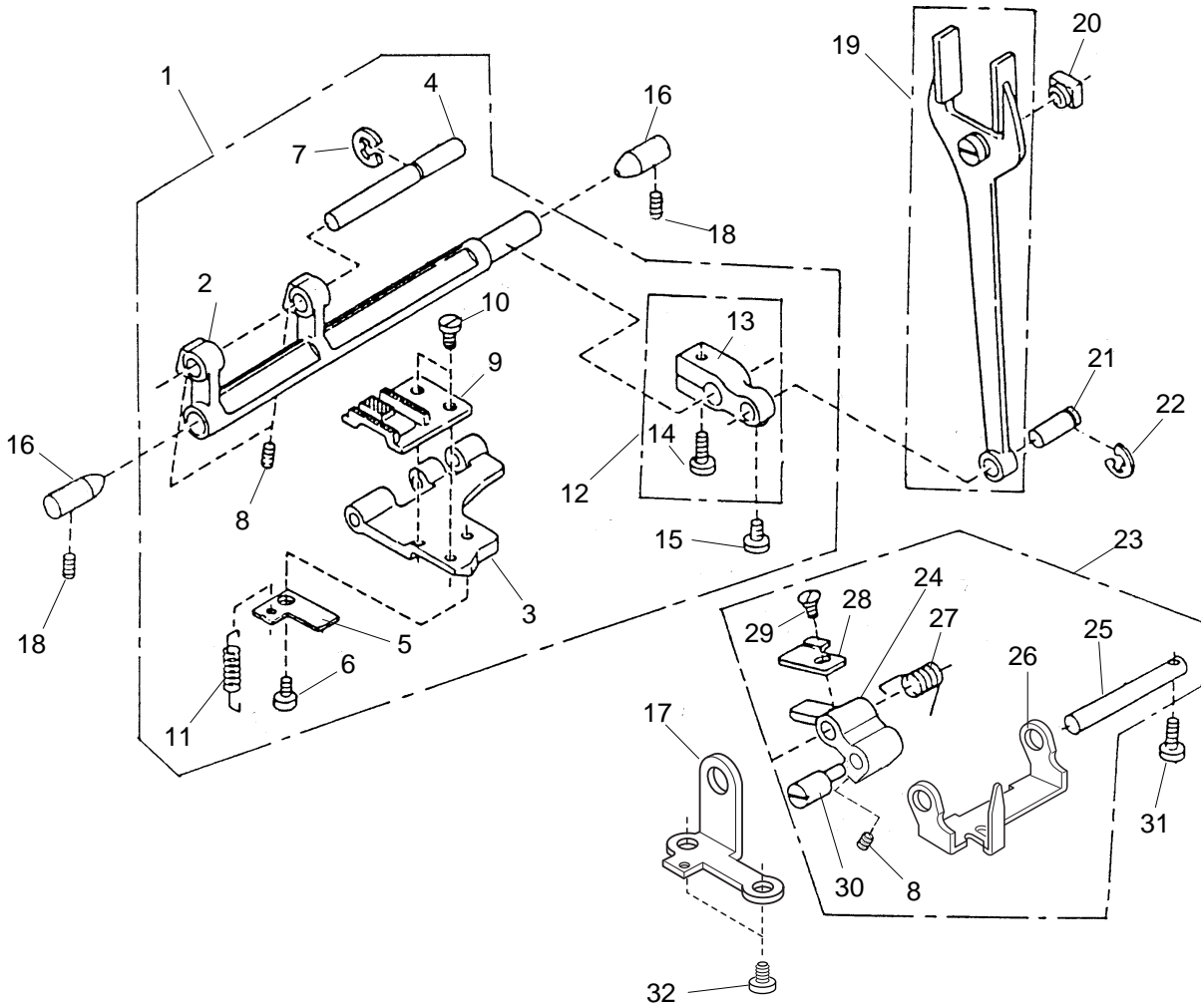
PARTS LIST



PARTS LIST

KEY NO.	PARTS NO.	DESCRIPTION
1	640603104	HOOK RACE UNIT
2	640503000	HOOK RACE UNIT
3	532096007	HOOK
4	000111304	HEXAGONAL SOCKET SCREW 5X5
5	647515006	BOBBIN CASE UNIT
6	102261000	BOBBIN
7	640018003	HOOK DRIVER SHAFT BUSHING
8	626045407	CAP
9	735064001	CRANK ROD PIN
10	000110107	HEXAGONAL SOCKET SCREW 5X5 WP
11	738023007	LOWER SHAFT CRANK
12	647142008	LOWER SHAFT
13	738024008	LOWER SHAFT FRONT BUSHING
14	640038009	LOWER SHAFT REAR BUSHING
15	722034002	FELT
16	647043008	FEED LIFTING CAM
17	730038001	LOWER SHAFT GEAR
18	730027007	NEEDLE PLATE
19	681009101	FLAT SCREW
20	730107002	GEAR BOX UPPER COVER
21	000101404	SCREW 4X6
22	000036201	WASHER

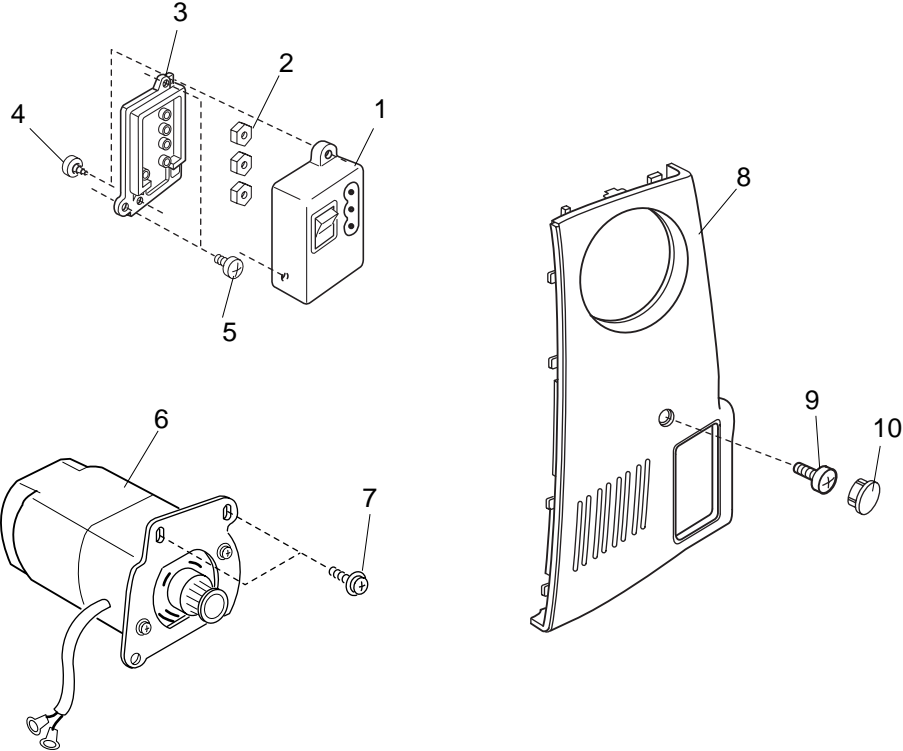
PARTS LIST



PARTS LIST

KEY NO.	PART NO.	DESCRIPTION
1	730611004	FEED ROCK SHAFT UNIT
2	730057006	FEED ROCK SHAFT
3	647066007	FEED DOG BASE
4	647134007	FEED DOG BASE SHAFT
5	648019008	FEED DOG BASE SLIDING PLATE
6	102021202	SETSCREW
7	000002507	SNAP RING E-4
8	000111108	HEXAGON SOCKET SCREW 4X6
9	730184003	FEED DOG
10	730183002	SETSCREW
11	672042005	FEED DOG BASE SPRING
12	647612015	FEED ROCK SHAFT CRANK UNIT
13	647064005	FEED ROCK SHAFT CRANK
14	102151006	SETSCREW
15	102205006	SETSCREW
16	738055008	STRAIGHT PIN
17	303033000	FEED LIFTING ARM SHAFT HOLDER
18	000111304	HEXAGONAL SOCKET SCREW 5X5
19	647607006	FORK ROD UNIT
20	102141003	FEED REGULATOR SLIDE BLOCK
21	673103008	FEED ROCK SHAFT CONNECTING PIN
22	000002806	SNAP RING E-6
23	303612009	FEED LIFTING ARM UNIT
24	738028002	FEED LIFTING ARM
25	730058007	FEED LIFTING ARM SPRING
26	303069005	DROP FEED SELECTING PLATE
27	730061003	DROP FEED SELECTING SPRING
28	730062004	SLIDING PLATE
29	365032001	FLAT SCREW
30	730063016	FEED LIFTING CRANK ROLLER SHAFT
31	000101703	SCREW 4X12
32	000101404	SCREW 4X6

PARTS LIST



PARTS LIST

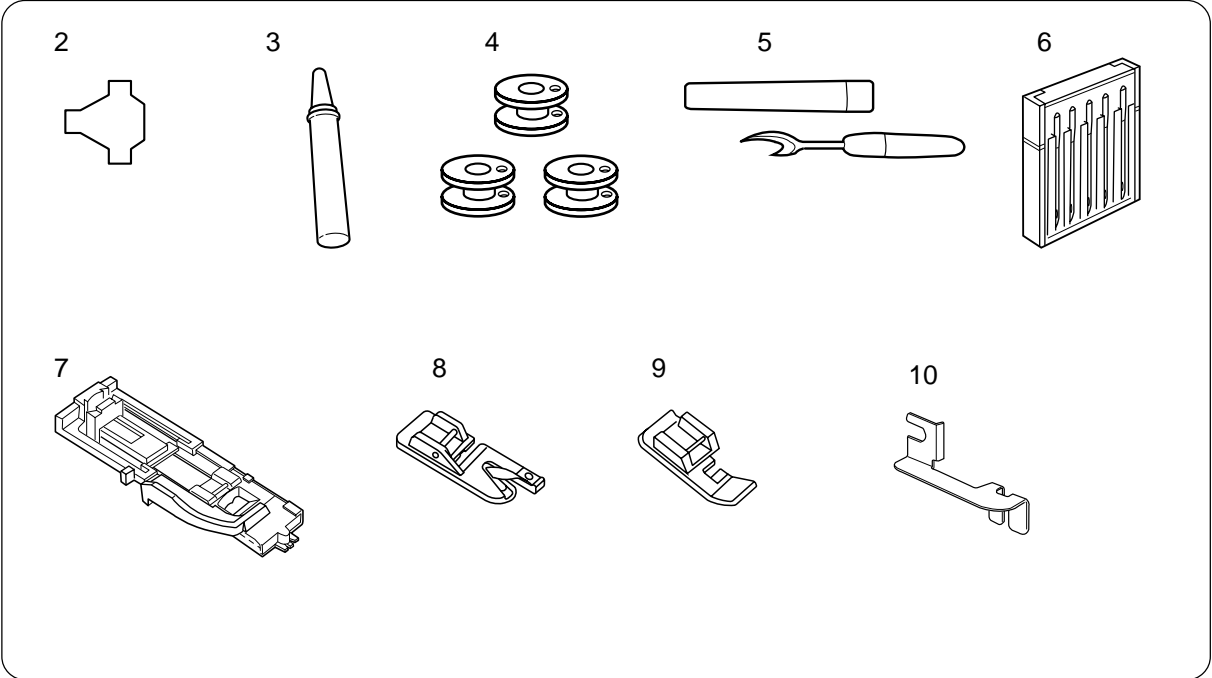
KEY PARTS

NO.	NO.	DESCRIPTION
-----	-----	-------------

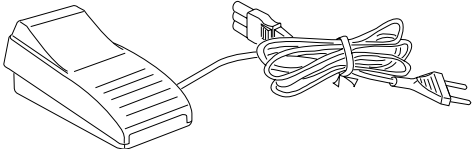
1	739503308	MACHINE SOCKET UNIT (AUSTRALIA, U.K. & CONTINENTAL EUROPE)
	739505403	MACHINE SOCKET UNIT (U.S.A. & CANADA)
2	000060802	NUT
3	739037007	MACHINE SOCKET COVER
4	000107802	TAPPING SCREW 3X10B
5	000103509	SETSCREW 4X10
6	303615002	MOTOR UNIT (AUSTRALIA & U.K.)
	303616003	MOTOR UNIT (U.S.A. & CANADA)
	303615105	MOTOR UNIT (CONTINENTAL EUROPE)
7	000115504	TP SCREW 5X10
8	303059002	BELT COVER
9	000106801	SETSCREW 4X35
10	653006101	CAP

PARTS LIST

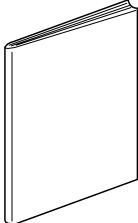
1



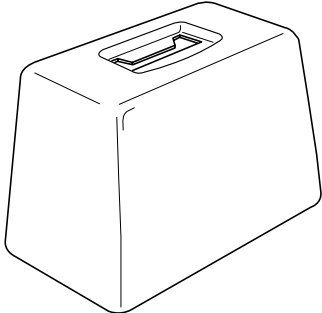
11



12



13



PARTS LIST

KEY NO.	PARTS NO.	DESCRIPTION
1	303870018	ACCESSORY SET
2	653802002	SCREW DRIVER
3	741814003	OIL
4	102261000	BOBBIN
5	647808009	SEAM RIPPER/BUTTONHOLE OPENER
6	540401026	NEEDLE SET
7	740801004	AUTOMATIC BUTTONHOLE FOOT
8	743815000	HEMMER FOOT
9	611406002	ZIPPER FOOT
10	674401002	HEM GUIDE
11	042870102	FOOT CONTROL (AUSTRALIA)
	033870104	FOOT CONTROL (U.S.A. & CANADA)
	042870401	FOOT CONTROL (U.K.)
	042870308	FOOT CONTROL (NETHERLANDS)
12	303800051	INSTRUCTION BOOK (ENGLISH)
	303800084	INSTRUCTION BOOK (DUTCH, FRENCH & GERMAN)
	303800095	INSTRUCTION BOOK (NORWEGIAN, SWEDISH & DANISH)
	303800109	INSTRUCTION BOOK (ITALIAN, FINNISH & SPANISH)
13	488701002	COVER