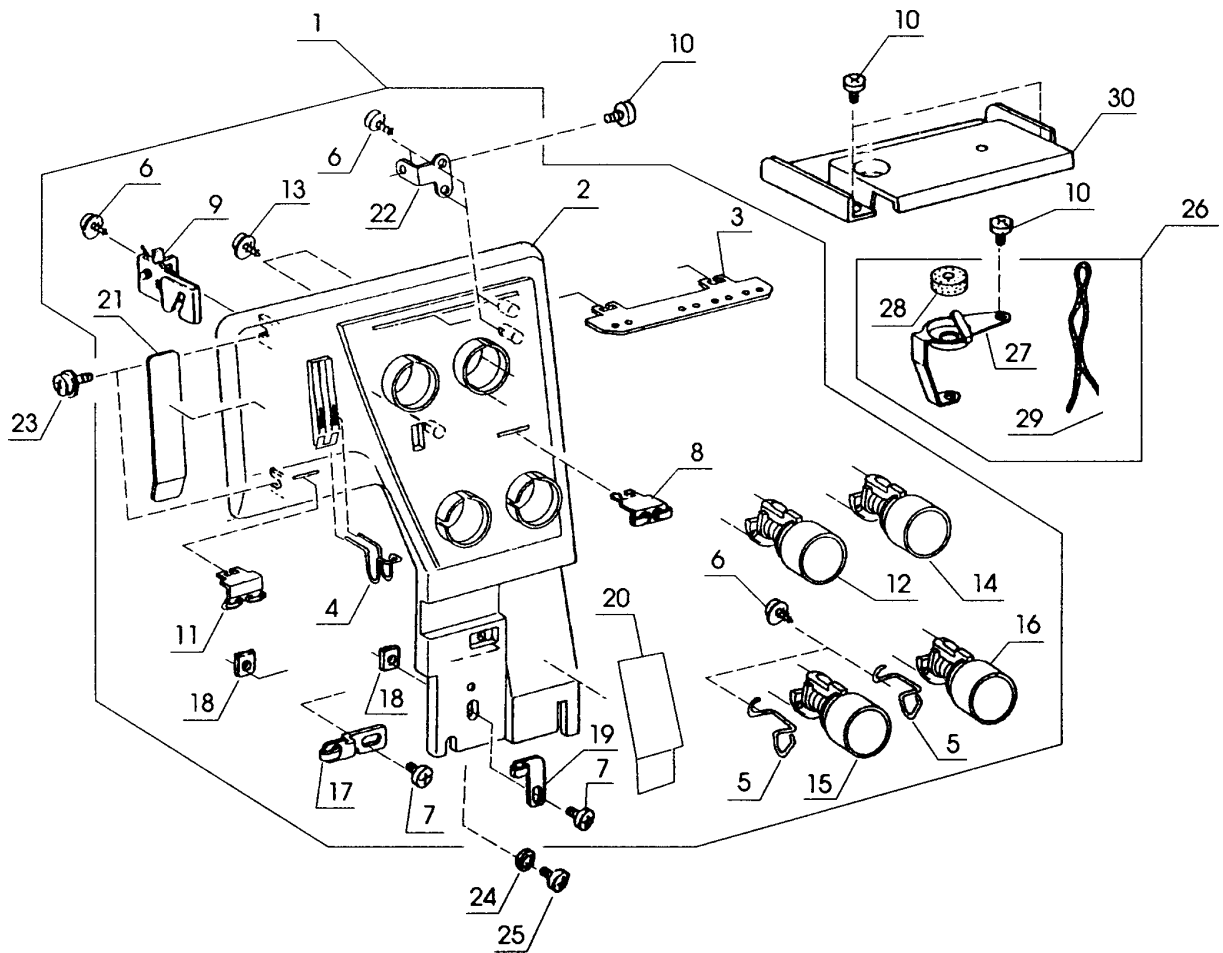


PARTS LIST

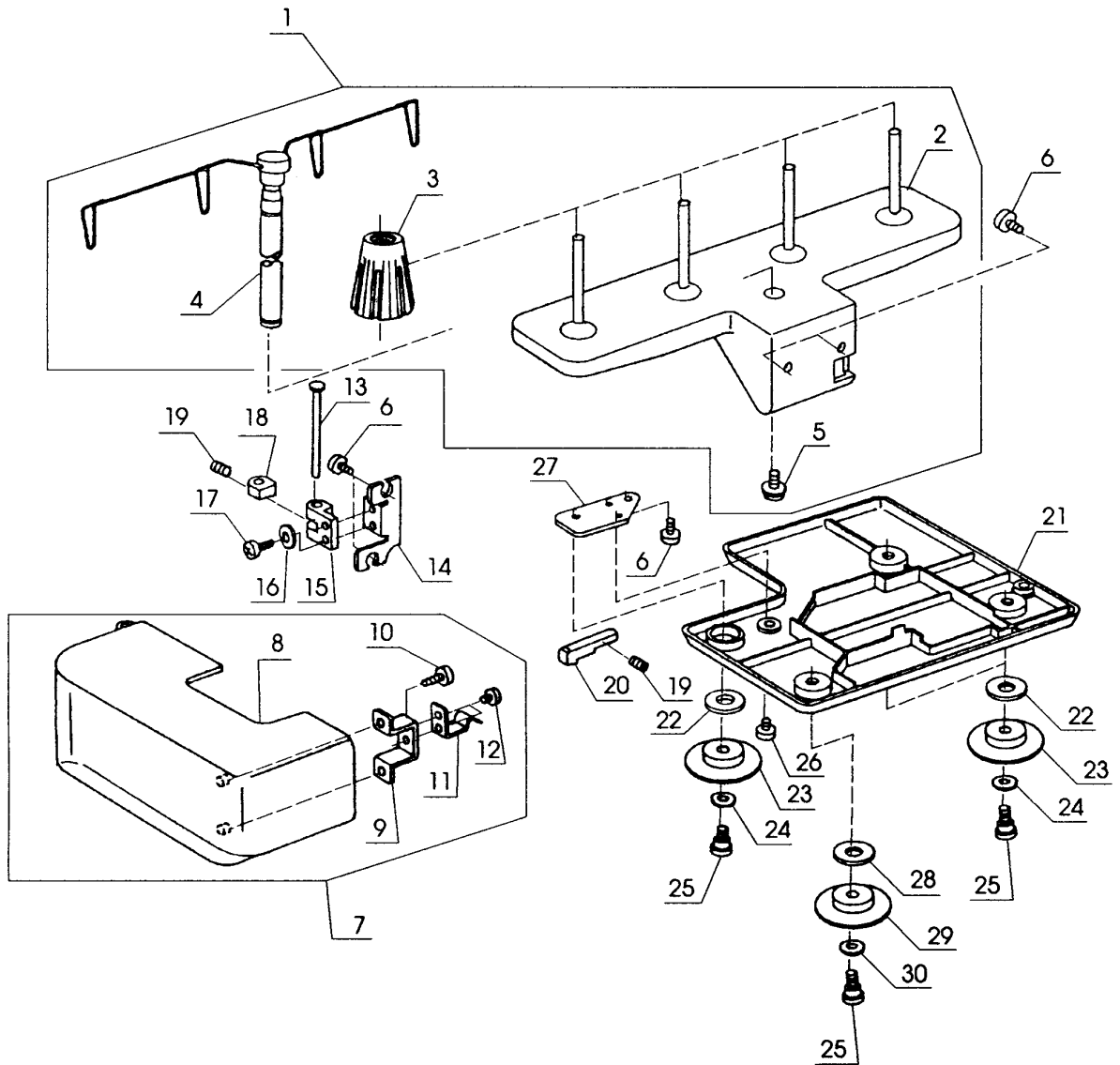
FOR

MODEL 134D

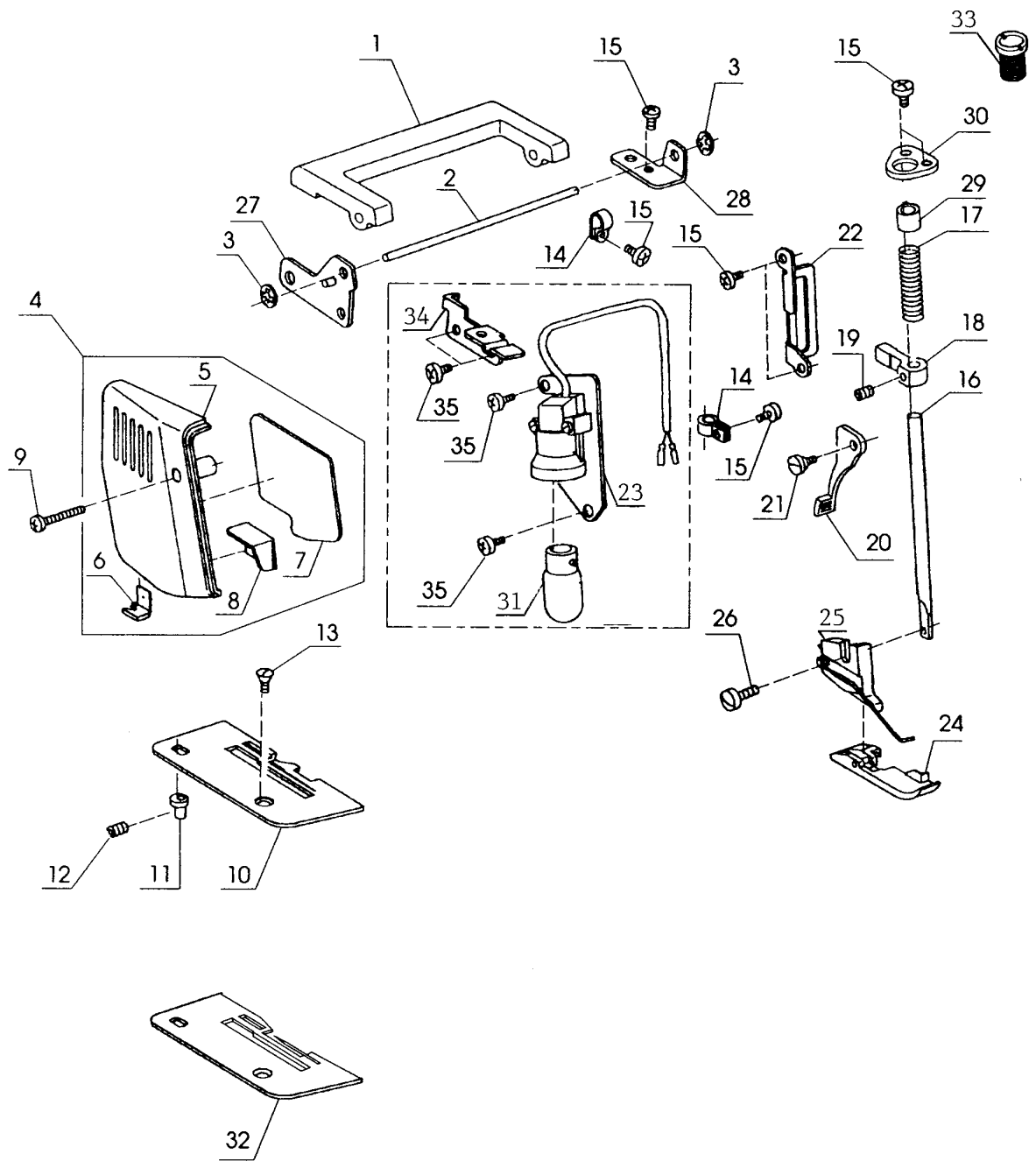
Specification code : 777701007 (JA, T-23364))  
777702008 (JCA)  
777704000 (JAI)  
777705001 (JUK)  
777706002 (JNBV)  
777709050 (JAI, NH104D)



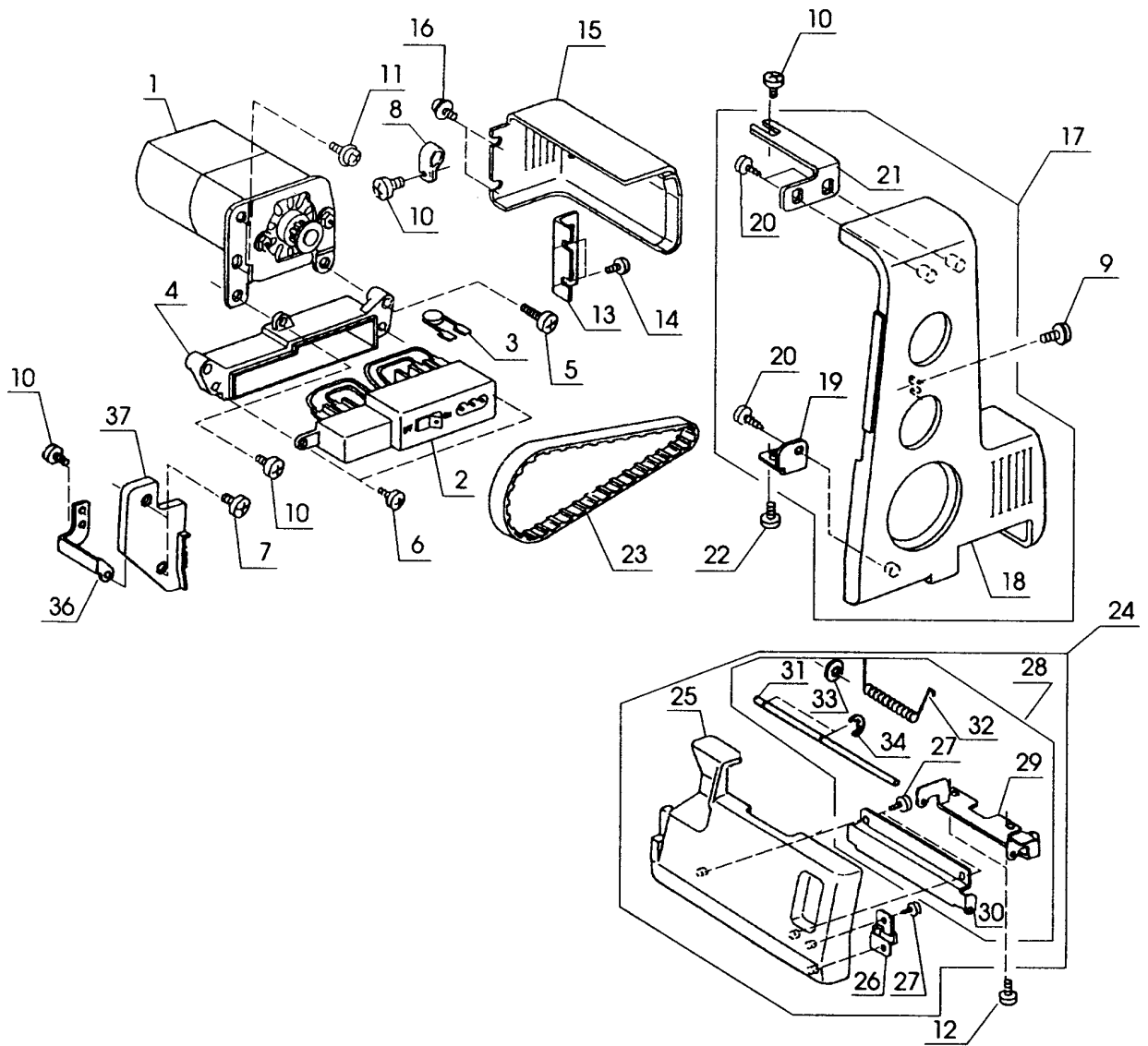
| Key No. | Part No.  | Name   |
|---------|-----------|--|
| 1       | 777602007 | Front panel unit                                       |
|         | 777607002 | Front panel unit for U.S.A. (NEW HOME 104D)            |
| 2       | 777007109 | Front panel  |
|         | 777007501 | Front panel for U.S.A. (NEW HOME 104D)                 |
| 3       | 785229001 | Thread guide plate                                     |
| 4       | 785230005 | Thread guide   |
| 5       | 785231006 | Thread guide   |
| 6       | 000149301 | Set screw  |
| 7       | 000066727 | Set screw  |
| 8       | 785232007 | Thread guide   |
| 9       | 785607007 | Check spring unit                                      |
| 10      | 000081005 | Set screw  |
| 11      | 785015002 | Thread guide   |
| 12      | 785552800 | Tension unit (left needle) for U.S.A. (NEW HOME 104D)  |
|         | 785687104 | Tension unit (left needle)                             |
| 13      | 000114709 | Set screw  |
| 14      | 785553904 | Tension unit (right needle) for U.S.A. (NEW HOME 104D) |
|         | 785688105 | Tension unit (right needle)                            |
| 15      | 785554101 | Tension unit (upper looper)                            |
|         | 785554905 | Tension unit (upper looper) for U.S.A. (NEW HOME 104D) |
| 16      | 785555102 | Tension unit (lower looper)                            |
|         | 785555906 | Tension unit (lower looper) for U.S.A. (NEW HOME 104D) |
| 17      | 785247005 | Thread guide   |
| 18      | 630005006 | Nut  |
| 19      | 784106008 | Thread guide   |
| 20      | 785248006 | Threading chart  |
| 21      | 785249007 | Reflecting plate                                       |
| 22      | 785250001 | Set plate  |
| 23      | 000115607 | Set screw  |
| 24      | 000071035 | Washer   |
| 25      | 000077617 | Set screw  |
| 26      | 784625019 | Oil wick supporter                                     |
| 27      | 784111017 | Oil pad supporter                                      |
| 28      | 784113008 | Oil pad  |
| 29      | 763033020 | Oil wick   |
| 30      | 784114021 | Top cover  |



| Key No. | Part No.  | Name                                  |
|---------|-----------|---------------------------------------|
| 1       | 777603008 | Spool stand unit                      |
| 2       | 777011003 | Spool stand                           |
| 3       | 784231105 | Spool holder                          |
| 4       | 785692102 | Thread guide bar                      |
| 5       | 000115700 | Set screw                             |
| 6       | 000081005 | Set screw                             |
| 7       | 785680004 | Side cover for U.S.A. (NEW HOME 104D) |
|         | 785680200 | Side cover for U.S.A.                 |
|         | 785680107 | Side cover for Canada                 |
|         | 785680200 | Side cover unit for Australia         |
| 8       | 785264204 | Side cover                            |
| 9       | 785265009 | Set plate                             |
| 10      | 000107802 | Set screw                             |
| 11      | 784140004 | Spring                                |
| 12      | 000103808 | Set screw                             |
| 13      | 784142006 | Pin                                   |
| 14      | 784161001 | Set plate                             |
| 15      | 785266000 | Hinge                                 |
| 16      | 000070908 | Washer                                |
| 17      | 000104201 | Set screw                             |
| 18      | 785267001 | Ring                                  |
| 19      | 000111201 | Set screw                             |
| 20      | 784143007 | Stopper                               |
| 21      | 785282002 | Machine base                          |
| 22      | 785260004 | Washer                                |
| 23      | 784135006 | Cushion                               |
| 24      | 000070300 | Washer                                |
| 25      | 784169009 | Hinge screw                           |
| 26      | 000103509 | Set screw                             |
| 27      | 785259000 | Set plate                             |
| 28      | 787204006 | Washer                                |
| 29      | 784135006 | Cushion                               |
| 30      | 000070300 | Washer                                |

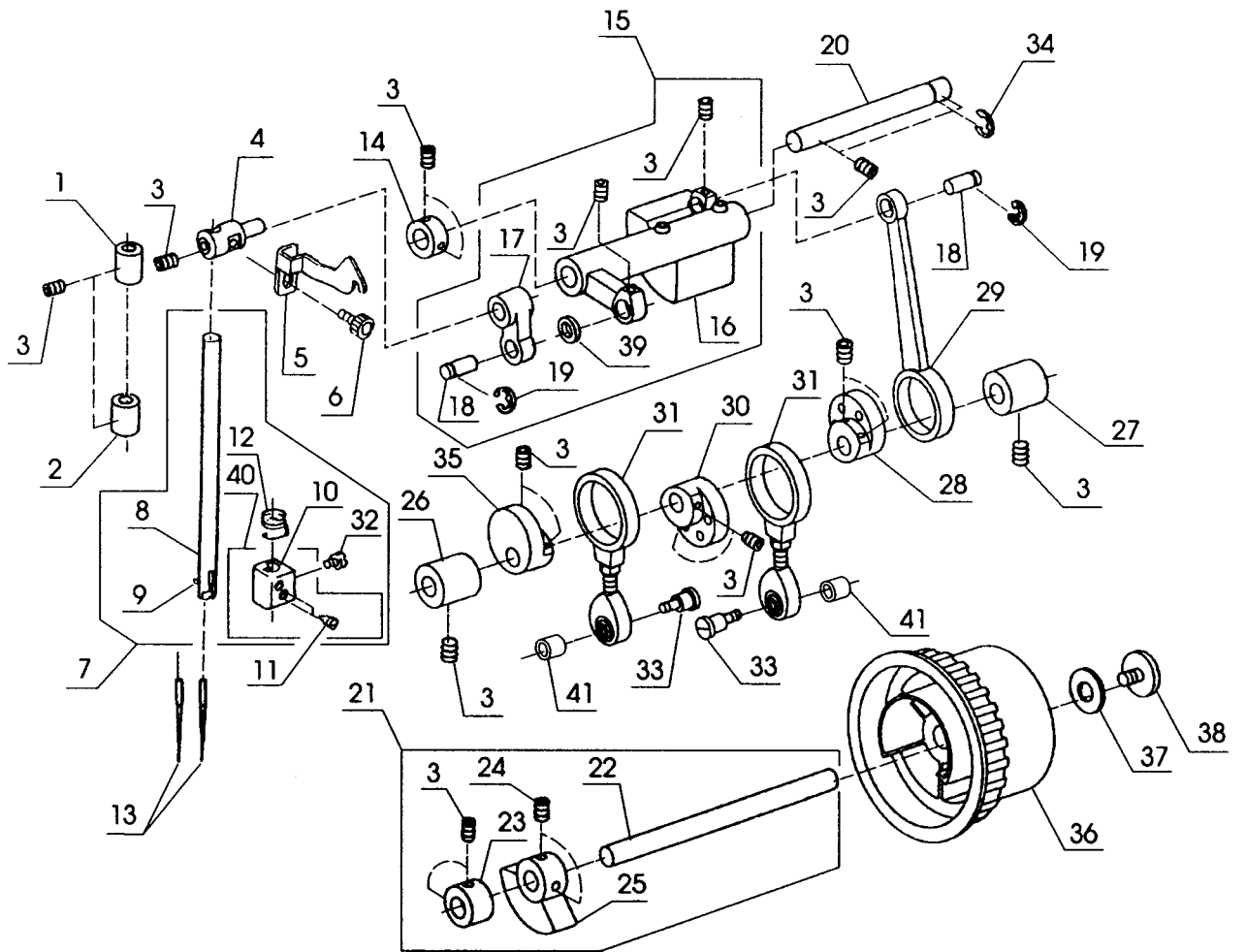


| Key No. | Part No.  | Name   |
|---------|-----------|--|
| 1       | 784005109 | Handle   |
| 2       | 784006007 | Pin  |
| 3       | 000014007 | CS ring  |
| 4       | 785671002 | Face plate unit for Canada & U.S.A.                                |
|         | 785671105 | Face plate unit for Australia                                      |
| 5       | 785206208 | Face plate   |
| 6       | 840602006 | Thread cutter  |
| 7       | 785207003 | Reflecting plate   |
| 8       | 785272009 | Reflecting plate   |
| 9       | 000106812 | Set screw  |
| 10      | 785609009 | Needle plate   |
| 11      | 789100007 | Eccentric pin (784004005)  |
| 12      | 000111902 | Set screw  |
| 13      | 681009101 | Set screw  |
| 14      | 000188405 | Cord guide   |
| 15      | 000081005 | Set screw  |
| 16      | 784029006 | Presser bar  |
| 17      | 784030000 | Spring   |
| 18      | 724118007 | Guide bracket  |
| 19      | 000111304 | Set screw  |
| 20      | 650032015 | Presser foot lifter  |
| 21      | 810431009 | Hinge screw  |
| 22      | 784032002 | Presser bar guide  |
| 23      | 784503009 | Lamp socket unit for Australia, Continental Europe & Great Britain |
|         | 787510008 | Lamp socket unit for U.S.A.  |
|         | 787633008 | Lamp socket unit for Canada  |
| 24      | 785501114 | Presser foot   |
| 25      | 787541008 | Foot holder  |
| 26      | 763048006 | Set screw  |
| 27      | 785277004 | Handle supporter   |
| 28      | 785278005 | Handle supporter   |
| 29      | 777002001 | Ring   |
| 30      | 777003002 | Guide plate  |
| 31      | 000009009 | Light bulb for Australia, Continental Europe & Great Britain       |
|         | 000009803 | Light bulb for Canada & U.S.A.                                     |
| 32      | 784626009 | Rolled hem needle plate  |
| 33      | 777013005 | Pressure adjusting screw   |
| 34      | 784168008 | Mounting plate for Australia, Continental Europe & Great Britain   |
|         | 785205001 | Mounting plate for Canada & U.S.A.                                 |
| 35      | 000101404 | Set screw  |

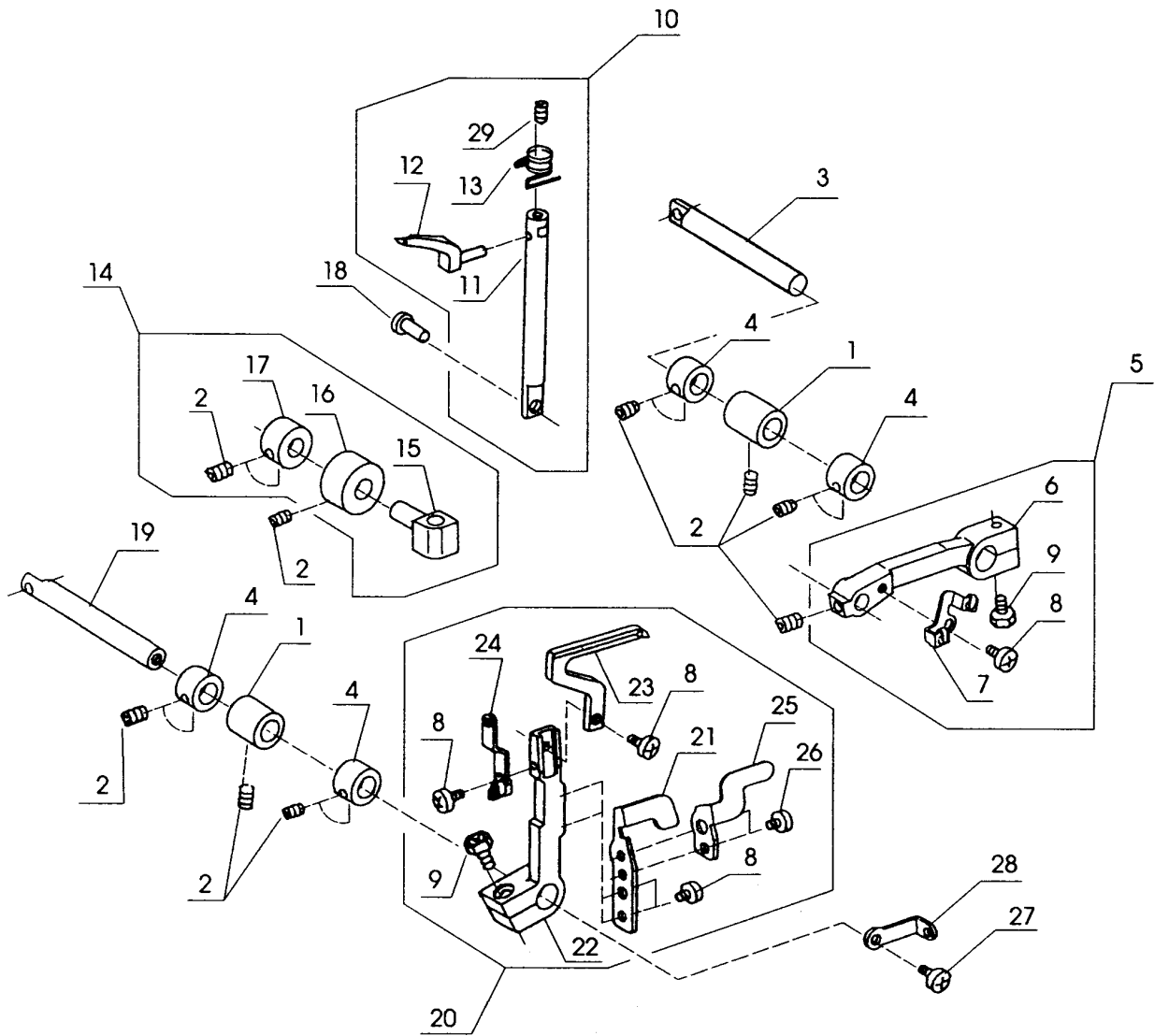




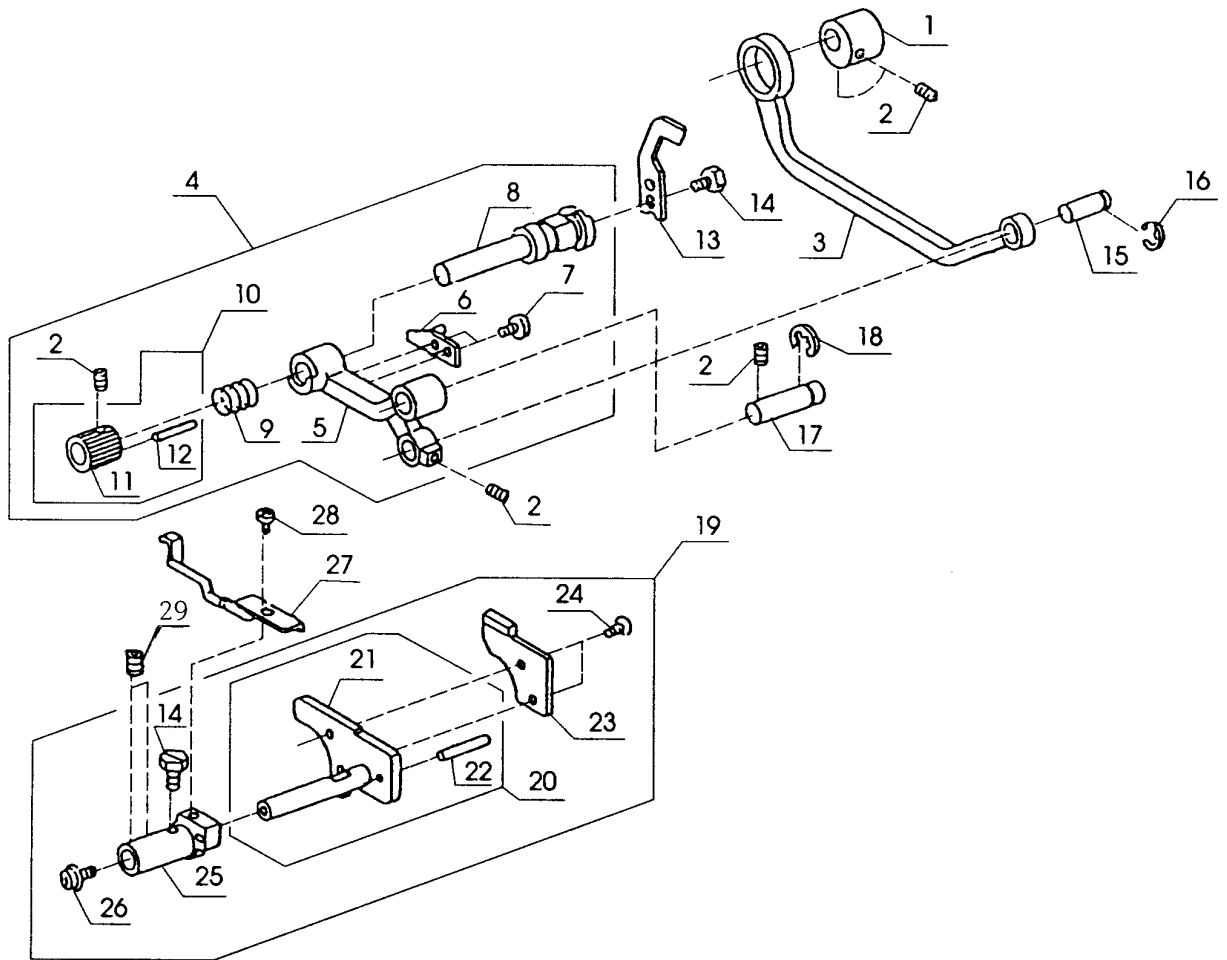
| Key No. | Part No.  | Name  |
|---------|-----------|---|
| 1       | M-1024    | Motor unit for Canada   |
|         | 787629207 | Motor unit for U.S.A.   |
|         | M-2077    | Motor unit for Continental Europe                                     |
|         | M-2035    | Motor unit for Australia  |
|         | M-2083    | Motor unit for Great Britain  |
| 2       | 777502006 | Machine socket unit for Australia, Continental Europe & Great Britain |
|         | 787508106 | Machine socket unit for Canada & U.S.A.                               |
| 3       | 784509005 | Condenser for Australia   |
| 4       | 784128028 | Cover   |
| 5       | 000104108 | Set screw   |
| 6       | 000121905 | Set screw   |
| 7       | 000078320 | Set screw   |
| 8       | 000188405 | Cord guide  |
| 9       | 000115607 | Set screw   |
| 10      | 000081005 | Set screw   |
| 11      | 000115504 | Set screw   |
| 12      | 000101404 | Set screw   |
| 13      | 784125003 | Set plate   |
| 14      | 000081119 | Set screw   |
| 15      | 785255202 | Motor cover   |
| 16      | 000115009 | Set screw   |
| 17      | 785689209 | Belt cover unit for Australia   |
|         | 785689302 | Belt cover unit for Continental Europe                                |
| 18      | 785297103 | Belt cover for Australia  |
|         | 785297206 | Belt cover for Continental Europe                                     |
| 19      | 784130001 | Set plate   |
| 20      | 000120214 | Set screw   |
| 21      | 785258009 | Set plate   |
| 22      | 000103509 | Set screw   |
| 23      | 784124002 | Motor belt  |
| 24      | 777604009 | Looper cover unit for Australia                                       |
|         | 777604102 | Looper cover unit for Canada  |
|         | 777604559 | Looper cover unit for Continental Europe                              |
|         | 777604940 | Looper cover unit for U.S.A. (NEW HOME 104D)                          |
| 25      | 777012048 | Looper cover for U.S.A. (NEW HOME 104D)                               |
|         | 777012107 | Looper cover for Australia  |
|         | 777012509 | Looper cover for Continental Europe                                   |
| 26      | 784118003 | Stopper   |
| 27      | 000149301 | Set screw   |
| 28      | 784619xxx | Hinge unit  |
| 29      | 784119004 | Looper cover supporter  |
| 30      | 784120019 | Hinge   |
| 31      | 784121010 | Pin   |
| 32      | 784122000 | Spring  |
| 33      | 000071013 | Washer  |
| 34      | 000002105 | Snap ring   |
| 35      | 784250008 | Sticker   |
| 36      | 784152009 | Set plate   |
| 37      | 785252209 | Looper cover guide  |



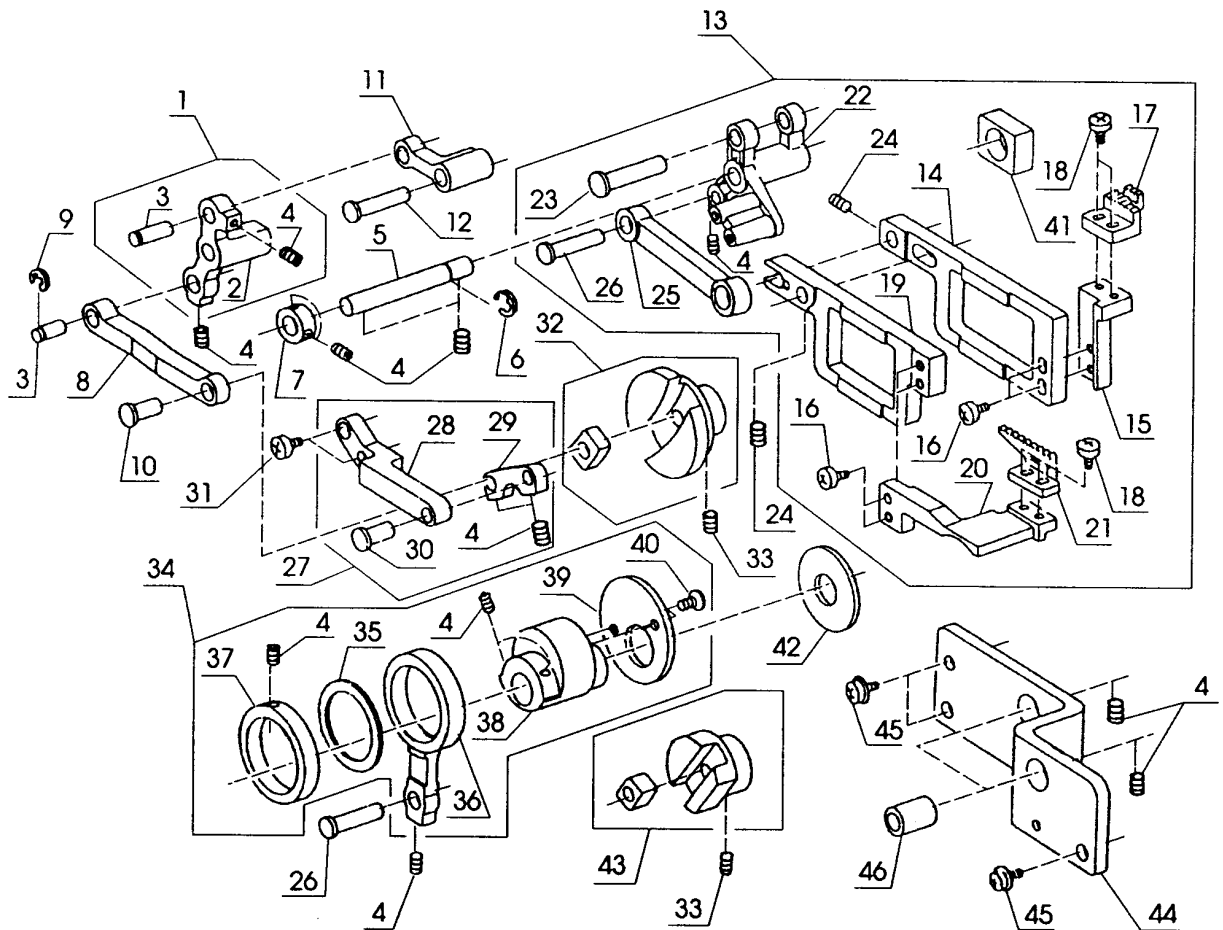
| Key No. | Part No.  | Name                                  |
|---------|-----------|---------------------------------------|
| 1       | 784027004 | Bushing                               |
| 2       | 784028005 | Bushing                               |
| 3       | 000111201 | Set screw                             |
| 4       | 784024001 | Connecting stud                       |
| 5       | 785202008 | Take up lever                         |
| 6       | 000084503 | Bolt                                  |
| 7       | 785603025 | Needle bar unit                       |
| 8       | 785003029 | Needle bar                            |
| 9       | 000022307 | Spring pin                            |
| 10      | 785004020 | Needle clamp                          |
| 11      | 785008024 | Set screw                             |
| 12      | 785009003 | Thread guide                          |
| 13      | 784157015 | Needle, size 14                       |
| 14      | 820166001 | Ring (787106007)                      |
| 15      | 785684008 | Needle bar crank unit                 |
| 16      | 785287007 | Needle bar crank                      |
| 17      | 784021008 | Needle bar link                       |
| 18      | 784022009 | Pin                                   |
| 19      | 000001609 | Snap ring                             |
| 20      | 784023000 | Crank shaft                           |
| 21      | 785630009 | Main shaft unit                       |
| 22      | 785101006 | Main shaft                            |
| 23      | 619006002 | Ring                                  |
| 24      | 000111304 | Set screw                             |
| 25      | 784167007 | Balance weight                        |
| 26      | 673062004 | Bushing                               |
| 27      | 784009000 | Bushing                               |
| 28      | 784010107 | Drive cam                             |
| 29      | 784011005 | Crank rod                             |
| 30      | 784012109 | Drive cam                             |
| 31      | 784602009 | Looper drive link                     |
| 32      | 785026017 | Set screw                             |
| 33      | 787108009 | Hinge screw                           |
| 34      | 000002806 | Snap ring                             |
| 35      | 787017001 | Drive cam                             |
| 36      | 784019106 | Hand wheel for U.S.A. (NEW HOME 104D) |
|         | 784019302 | Hand wheel                            |
| 37      | 556047007 | Washer                                |
| 38      | 618070004 | Set screw                             |
| 39      | 000036108 | Washer                                |
| 40      | 785557001 | Needle clamp unit                     |
| 41      | 787107008 | Spacer                                |



| Key No. | Part No.  | Name              |
|---------|-----------|-------------------|
| 1       | 787104005 | Bushing           |
| 2       | 000111201 | Set screw         |
| 3       | 787105006 | Crank shaft       |
| 4       | 820166001 | Ring (787106007)  |
| 5       | 785604200 | Drive shaft unit  |
| 6       | 784073005 | Drive arm         |
| 7       | 785020206 | Thread guide      |
| 8       | 000078320 | Set screw         |
| 9       | 000138008 | Bolt              |
| 10      | 785605005 | Drive shaft unit  |
| 11      | 784075007 | Drive shaft       |
| 12      | 784076019 | Upper looper      |
| 13      | 784077009 | Thread guide      |
| 14      | 787619008 | Shaft guide unit  |
| 15      | 787112006 | Shaft guide       |
| 16      | 787113007 | Bushing           |
| 17      | 820166001 | Ring (787106007)  |
| 18      | 784080005 | Pin               |
| 19      | 787116000 | Crank shaft       |
| 20      | 785610036 | Lower looper unit |
| 21      | 787383000 | Needle guard      |
| 22      | 785024004 | Drive arm         |
| 23      | 784083606 | Lower looper      |
| 24      | 784085206 | Thread guide      |
| 25      | 787384001 | Needle guard      |
| 26      | 000101116 | Set screw         |
| 27      | 000099006 | Bolt              |
| 28      | 000103004 | Set screw         |
| 29      | 785010203 | Thread guide      |
| 30      | 000112501 | Set screw         |

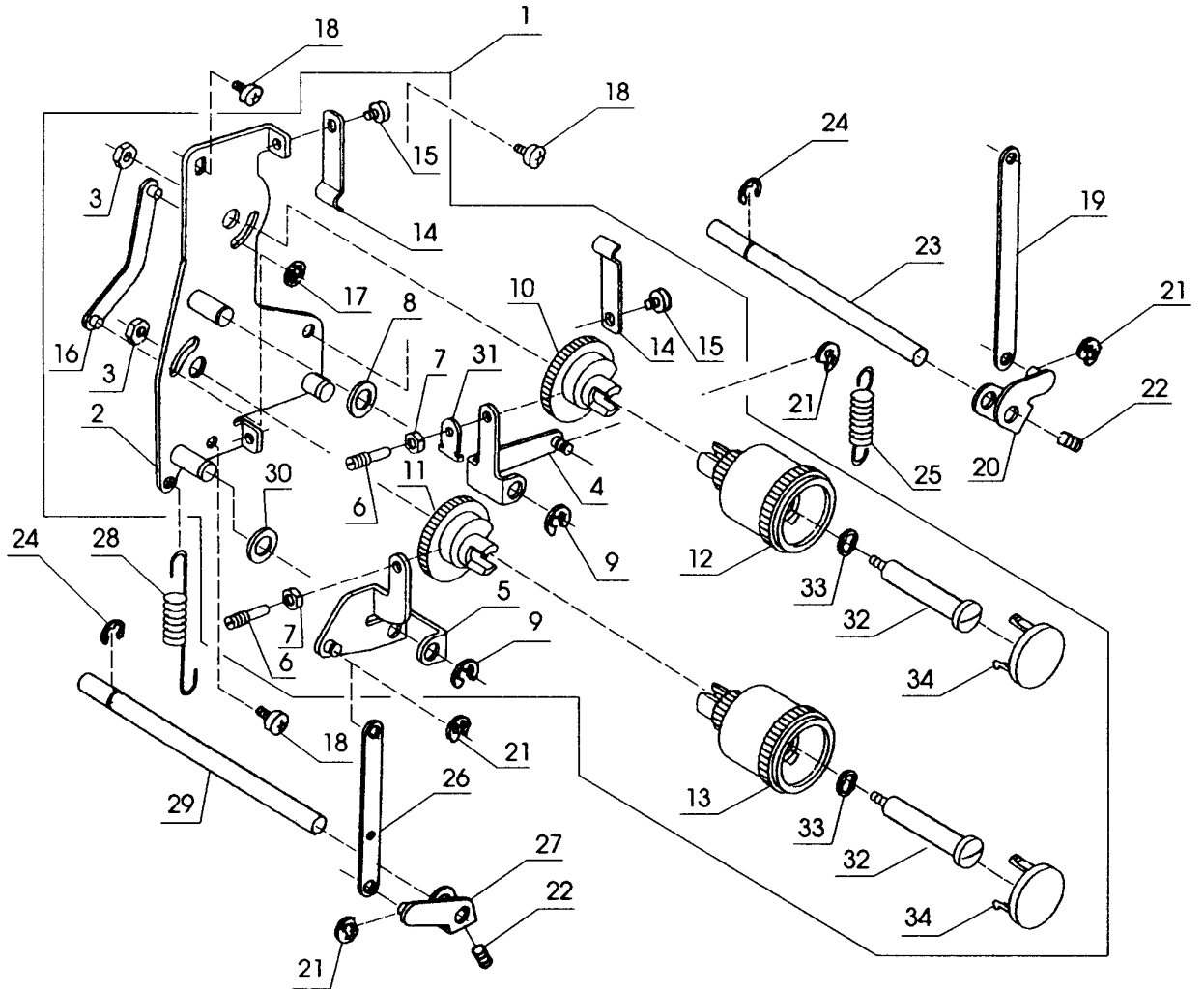


| Key No. | Part No.  | Name                |
|---------|-----------|---------------------|
| 1       | 777014006 | Drive cam           |
| 2       | 000111201 | Set screw           |
| 3       | 784039009 | Connecting rod      |
| 4       | 784606003 | Drive arm unit      |
| 5       | 784040003 | Drive arm           |
| 6       | 784041004 | Upper knife guard   |
| 7       | 810220003 | Set screw           |
| 8       | 784042005 | Upper knife stopper |
| 9       | 784043006 | Spring              |
| 10      | 784607xxx | Knob unit           |
| 11      | 784044007 | Knob                |
| 12      | 000003601 | Spring pin          |
| 13      | 784045020 | Upper knife         |
| 14      | 624303008 | Bolt                |
| 15      | 784022009 | Pin                 |
| 16      | 000001609 | Snap ring           |
| 17      | 784046009 | Pin                 |
| 18      | 000002909 | Snap ring           |
| 19      | 784608005 | Lower knife unit    |
| 20      | 784609xxx | Supporter unit      |
| 21      | 784047000 | Supporter           |
| 22      | 000123402 | Pin                 |
| 23      | 784048001 | Lower knife         |
| 24      | 000102221 | Set screw           |
| 25      | 784049002 | Bushing             |
| 26      | 000115401 | Set screw           |
| 27      | 785027007 | Needle guard        |
| 28      | 000078319 | Set screw           |
| 29      | 000111108 | Set screw           |

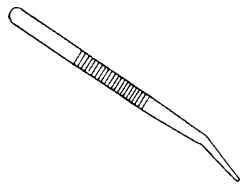




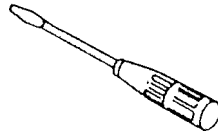
| Key No. | Part No.  | Name                |
|---------|-----------|---------------------|
| 1       | 785633002 | Rocking arm unit    |
| 2       | 785119007 | Rocking arm         |
| 3       | 625130005 | Pin                 |
| 4       | 000111201 | Set screw           |
| 5       | 784069019 | Pin                 |
| 6       | 000002806 | Snap ring           |
| 7       | 820166001 | Ring (787106007)    |
| 8       | 785126007 | Link                |
| 9       | 000002507 | Snap ring           |
| 10      | 785127008 | Pin                 |
| 11      | 785117005 | Link                |
| 12      | 625129001 | Pin                 |
| 13      | 785632001 | Feed bar unit       |
| 14      | 785106001 | Main feed bar       |
| 15      | 785107002 | Feed dog base       |
| 16      | 000080406 | Set screw           |
| 17      | 785108106 | Main feed dog       |
| 18      | 000066705 | Set screw           |
| 19      | 785109004 | Sub feed bar        |
| 20      | 785110008 | Feed dog base       |
| 21      | 785111102 | Sub feed dog        |
| 22      | 785112000 | Feed arm            |
| 23      | 785113001 | Pin                 |
| 24      | 000111902 | Set screw           |
| 25      | 785114002 | Feed link           |
| 26      | 785151001 | Pin                 |
| 27      | 785635004 | Sub feed arm unit   |
| 28      | 785115003 | Sub feed arm        |
| 29      | 785154004 | Link                |
| 30      | 820144003 | Pin                 |
| 31      | 000101703 | Set screw           |
| 32      | 785522007 | Regulator unit      |
| 33      | 000111304 | Set screw           |
| 34      | 785631000 | Feed cam unit       |
| 35      | 785121002 | Washer              |
| 36      | 785120001 | Link                |
| 37      | 785122003 | Ring                |
| 38      | 785102007 | Feed cam            |
| 39      | 785103008 | Washer              |
| 40      | 000097107 | Set screw           |
| 41      | 785104009 | Sliding block       |
| 42      | 785105000 | Washer              |
| 43      | 785521006 | Feed regulator unit |
| 44      | 785118006 | Feed regulator base |
| 45      | 000114802 | Set screw           |



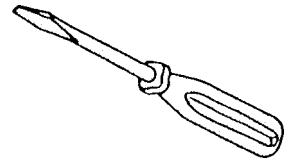
| Key No. | Part No.  | Name   |
|---------|-----------|--|
| 1       | 777601006 | Feed mechanism unit                                |
|         | 777601202 | Feed mechanism unit for U.S.A. (NEW HOME 104D)     |
| 2       | 777005004 | Frame  |
| 3       | 000061205 | Nut  |
| 4       | 785134008 | Feed regulating arm                                |
| 5       | 785135009 | Feed regulating arm                                |
| 6       | 652056000 | Stopper  |
| 7       | 000160102 | Nut  |
| 8       | 000036500 | Washer   |
| 9       | 000001609 | Snap ring  |
| 10      | 785378006 | Cam  |
| 11      | 785379007 | Cam  |
| 12      | 787261171 | Feed dial for U.S.A. (NEW HOME 104D)               |
|         | 787261757 | Feed dial  |
| 13      | 787261182 | Differential feed dial7 for U.S.A. (NEW HOME 104D) |
|         | 87261805  | Differential feed dial                             |
| 14      | 785140007 | Spring   |
| 15      | 000081119 | Set screw  |
| 16      | 777006005 | Stopper  |
| 17      | 000014306 | Ring   |
| 18      | 000081005 | Set screw  |
| 19      | 785142009 | Feed rod   |
| 20      | 785143000 | Feed arm   |
| 21      | 000002105 | Snap ring  |
| 22      | 000111500 | Set screw  |
| 23      | 785125006 | Feed shaft   |
| 24      | 000001609 | Snap ring  |
| 25      | 785146003 | Spring   |
| 26      | 785144001 | Rod  |
| 27      | 785145002 | Feed arm   |
| 28      | 785147004 | Spring   |
| 29      | 785130004 | Feed shaft   |
| 30      | 000072601 | Washer   |
| 31      | 785156006 | Plate  |
| 32      | 785218007 | Dial shaft   |
| 33      | 000116206 | Washer   |
| 34      | 787262301 | Dial cover   |



1



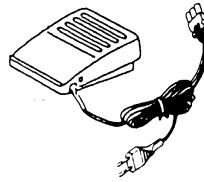
2



3



4



5



6

| Key No. | Part No.  | Name                                |
|---------|-----------|-------------------------------------|
| 1       | 624801001 | Tweezers                            |
| 2       | 647803004 | Screwdriver (small)                 |
| 3       | 784810002 | Screwdriver (large)                 |
| 4       | 784860100 | Set of needles                      |
| 5       | 033870207 | Foot control for Canada & U.S.A.    |
|         | C-2030    | Foot control for Australia          |
|         | C-2046-1  | Foot control for Continental Europe |
|         | C-2048    | Foot control for Great Britain      |
| 6       | 777800007 | Instruction book (English)          |
|         | 777800133 | Instruction book (French)           |
|         | 777800203 | Instruction book (German)           |
|         | 777800306 | Instruction book (Spanish)          |
|         | 777800409 | Instruction book (Norwegian)        |
|         | 777800502 | Instruction book (Finnish)          |
|         | 777800605 | Instruction book (Danish)           |
|         | 777800708 | Instruction book (Italian)          |
|         | 777800115 | Instruction book (Russian)          |
|         | 777800144 | Instruction book (Chinese)          |
|         | 777812002 | Overlock thread (not illustrated)   |